

New!



All of the benefits of the Super Q, and more!

SUPER Q MK-2

Let's get creative.

We've only gone and done it - the immensely popular Super Q with it's massive customisable work surface and ideal seating arrangement has now got even better.

Brimming with bundles of storage space, thanks to an integrated set of mobile drawers, this versatile cabinet comes complete with various extension leaves giving a variety of ways to customise the workspace, making the Super Q Mk-2 the perfect combination of function and style.



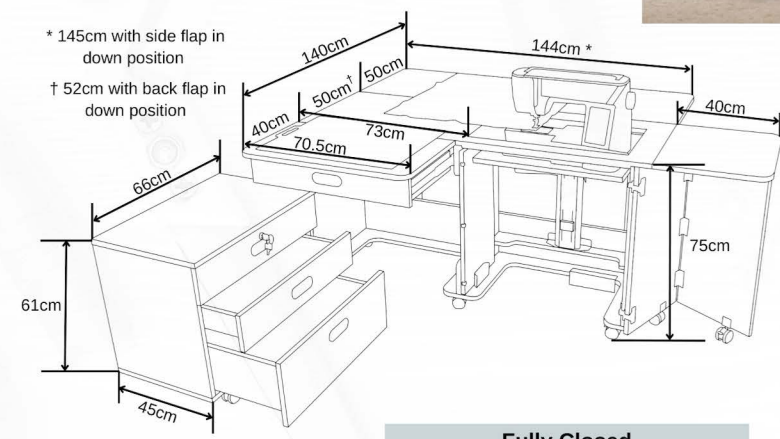
Featuring new stylish inlaid handles and lockable top drawer & bi-folding door, which closes to hide your sewing machine and keep your studio looking tidy

Delivered fully assembled

Heavy duty lockable castors



Need a chair? See pg.38-39 for more information



Fully Closed
W 145cm (57" - with side flap in down position)
D 52cm (20 1/2" - Including drop leaf flap down)
H 75cm (29 1/2")

- 1 Fitted with our Maxi Air-Lifter opening (size 1942) which is capable of accommodating virtually all domestic sewing machines old or new.
- 2 Arrives fitted with our Maxi Air-Lifter 3-step mechanism. Lifting your machine is a breeze!
- 3 Set of mobile drawers, and singular drawer integrated into the unit to the left of the user with additional extension piece which sits on top, creating even more workspace.

- 4 New! Bi-folding door that tucks out of the way when in use and covers the machine when not.
- 5 Extendable working areas to the side and rear of the cabinet have a sturdy design with supporting double gate legs for the rear leaf and a door support below the right hand leaf.
- 6 An acrylic flatbed extension table is supplied with this model, cut to fit your specific sewing machine.



Please note: due to its size, it may not be possible to take this unit up an internal staircase. See pg. 43 for more details.