

# TABLE OF CONTENTS

## 1. KNOWING YOUR SEWING MACHINE

Machine identification .....	2
Accessories .....	3
Setting up your machine .....	4 - 5
Feed dog control .....	5
Spool pins, Presser foot lifter .....	6
Converting to free-arm sewing .....	7
Winding the bobbin .....	8
Threading the bobbin thread .....	9
Threading the top thread .....	10 - 12
Using automatic needle threader	
Picking up bobbin thread .....	13
Needle, thread and fabric chart .....	14
Changing the needle .....	15
Adjusting top thread tension .....	16
Changing presser foot .....	17
Functions of control panel .....	18 - 19
Helpful messages .....	20
Operation buttons .....	21 - 22
Sewing speed control, Straight stitch needle position .....	23
Pattern number reference guide .....	24

## 2. STARTING TO SEW

Quick reference table of stitch length and width .....	25 - 28
Straight stitching .....	29 - 33
Keeping seams straight, Inserting zippers and piping, Handling hard-to-sew fabrics, Hemming bottom of jeans	
Zigzag stitching .....	34
Adjusting stitch width and length, Satin stitch, Placement of patterns	
Blindhem stitch .....	35
Multi-stitch zigzag, Shell stitch, Sewing on a button .....	36
Stretch and decorative stitches .....	37 - 41
Straight stretch stitch, Overedge stitch, Ric-rac stitch, Honeycomb stitch, Feather stitch, Double overlock stitch, Criss-cross stitch, Entredeux stitch, Ladder stitch, Slant overedge stitch, Crossed stitch, Greek key stitch, Fishbone stitch, Thorn stitch, Edge-joining stitch, Wizard stitch	
More decorative stitches & ideas for decorative machine stitching .....	42
Sewing a buttonhole .....	43 - 45
Using buttonhole foot, Corded buttonholes	

## 3. CARING FOR YOUR MACHINE

Cleaning hook area and feed dogs .....	46
--	----

## 4. OTHER INFORMATION

Satin stitch foot, Twin needle(Optional) .....	47
--	----

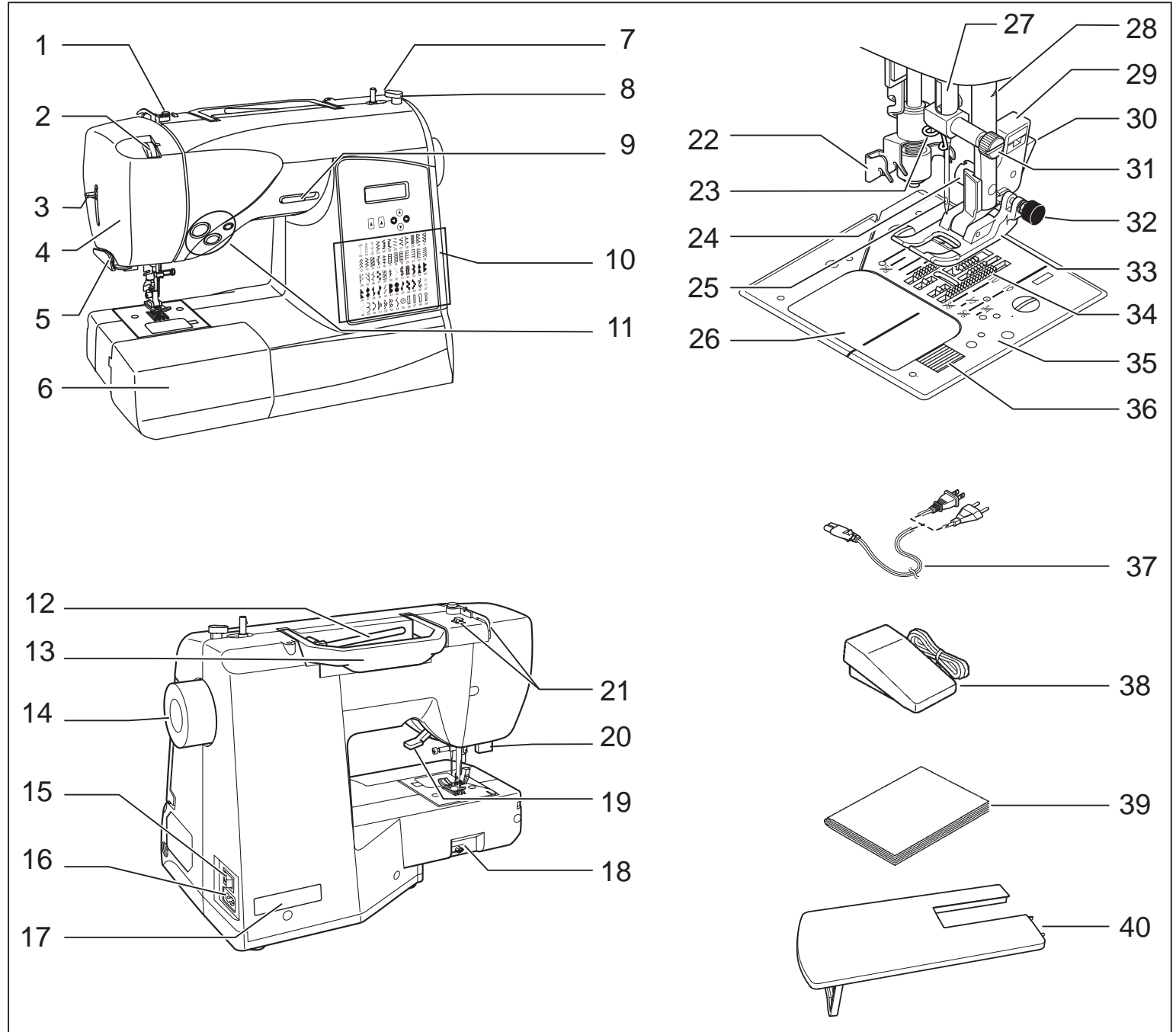
5. PERFORMANCE CHECKLIST .....	48
--------------------------------	----

Dimensions: 376 mm × 197 mm × 301 mm
Mass of the equipment: 6.7 kg
Rated Voltage: 230 V ~
Rated Frequency: 50 Hz
Rated input: 65 W
Using ambient temperature: Normal temperature
Acoustic noise level: less than 70 db(A)

# 1. KNOWING YOUR SEWING MACHINE

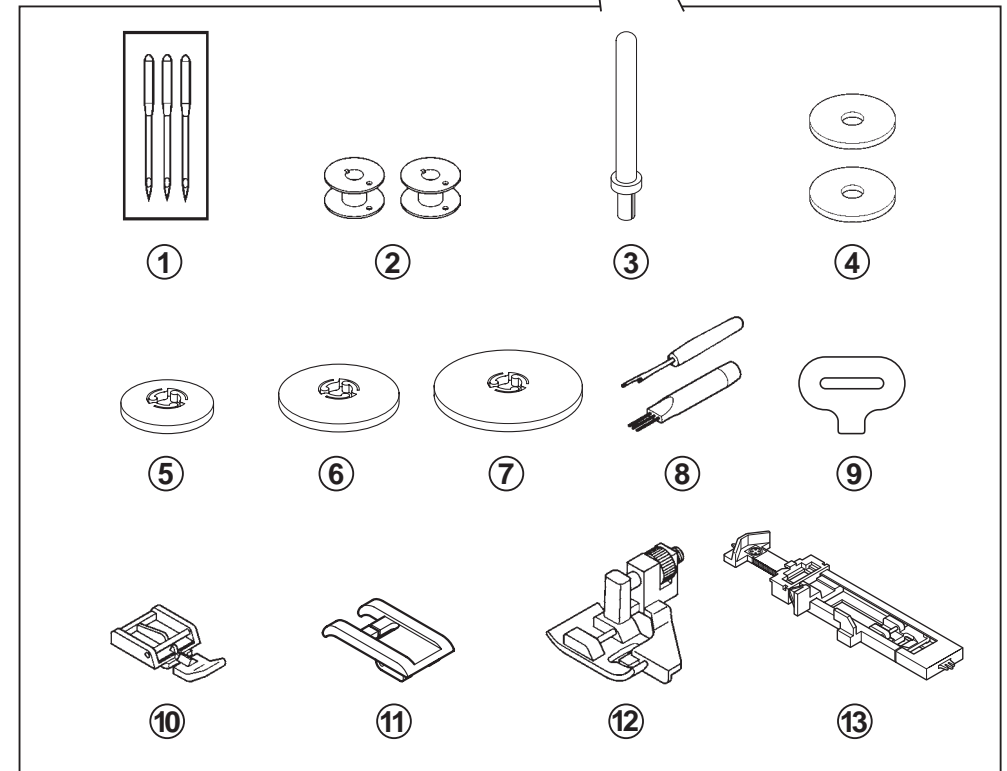
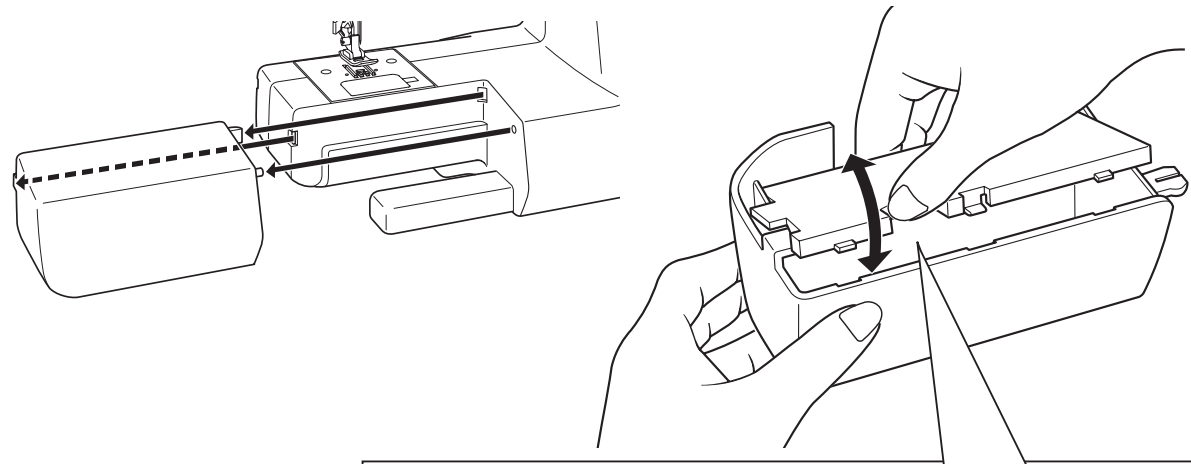
## MACHINE IDENTIFICATION

1. Bobbin winding tension disc
2. Thread tension control
3. Automatic needle threader
4. Face cover
5. Thread cutter
6. Removable extension table/Accessory box
7. Bobbin winder shaft
8. Bobbin winder stop
9. Sewing speed control
10. Pattern number reference guide
11. Operation buttons
12. Horizontal spool pin
13. Handle
14. Hand wheel
15. Power/light switch
16. Cord socket
17. Identification plate
18. Feed dog control
19. Presser foot lifter
20. Buttonhole lever
21. Thread guide
22. Twin thread guide
23. Thread guide
24. Presser foot screw
25. Needle
26. Bobbin cover plate
27. Needle bar
28. Alternate thread cutter
29. Presser foot holder
30. Foot release button
31. Needle clamp screw
32. Fixing pin (to hold presser foot horizontally)
33. Presser foot
34. Feed dogs
35. Needle plate
36. Bobbin cover release button
37. Power cord
38. Foot control
39. Instruction manual
40. Large extension table (optional)



## ACCESSORIES

1. Needles
2. Bobbins (3total - 1 in machine)
3. Auxiliary spool pin
4. Spool pin felt discs (2)
5. Spool pin cap (mini)
6. Spool pin cap (small)
7. Spool pin cap (large)
8. Buttonhole opener/Seam Ripper and Brush
9. Screwdriver for needle plate
10. Zipper foot
11. Satin stitch foot
12. Blind stitch foot
13. Buttonhole foot



**The Foot that comes on your Sewing machine is called the General Purpose Foot and will be used for the majority of your sewing.**

**The Satin Foot (11) is another very useful foot and should be used for most decorative sewing.**

**When purchasing additional bobbins, be sure they are Class I5 J.**

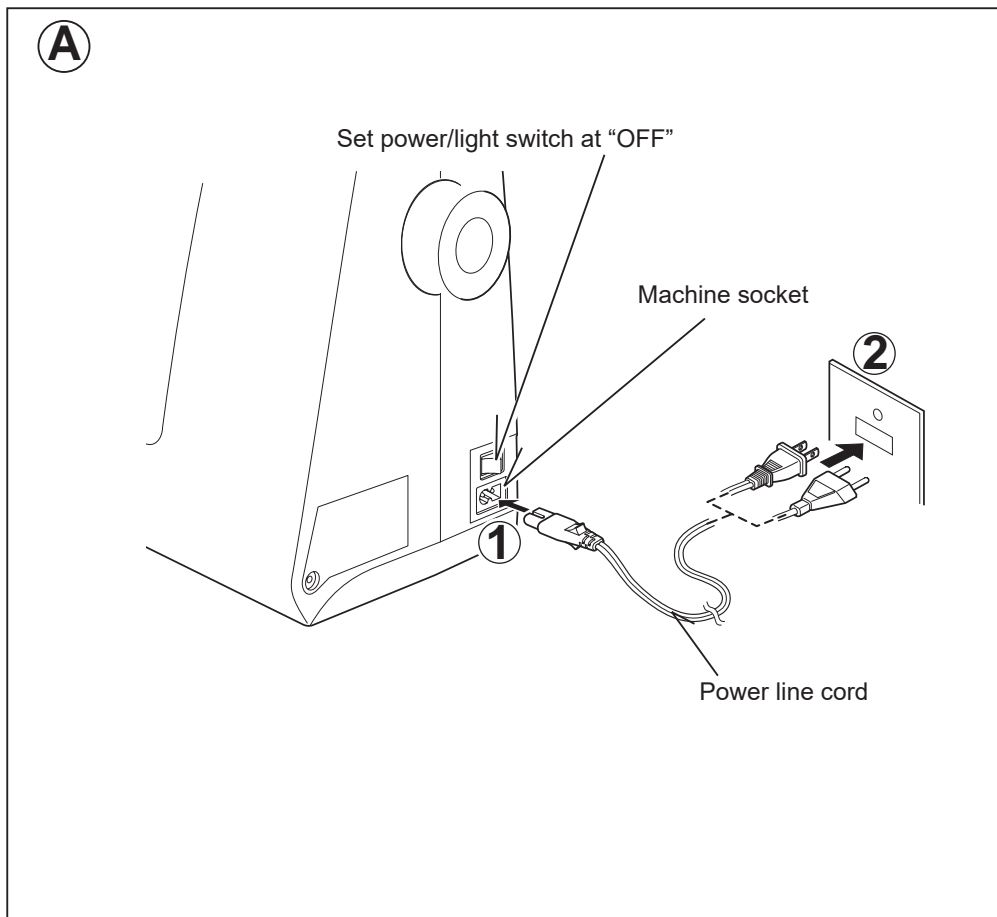
## SETTING UP YOUR MACHINE

Be sure to wipe off any excess oil from needle plate area before using your machine the first time.

**NOTE:** This machine can be used either with or without foot control.

### WHEN USING POWER LINE CORD ONLY

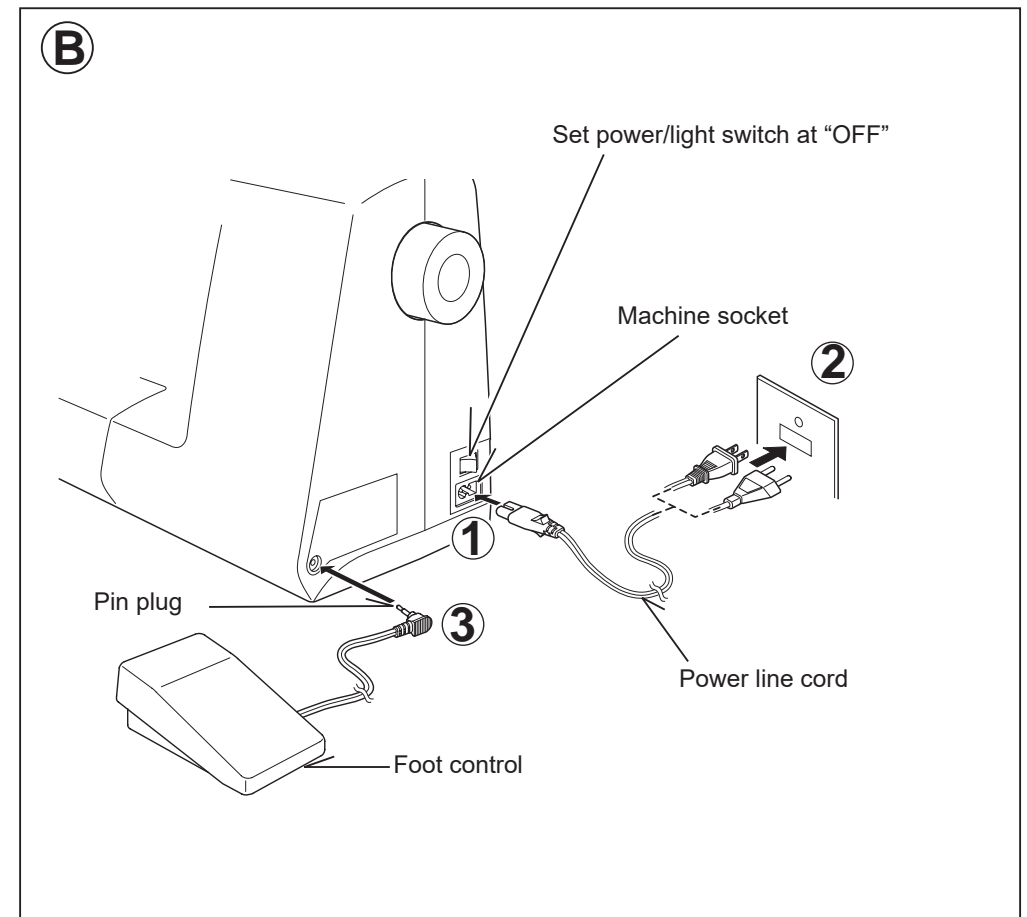
Connect the plug of the power line cord into the cord socket (1) and your wall outlet (2) as illustrated (A).



### WHEN USING POWER LINE CORD AND FOOT CONTROL

Connect the plug of the power line cord into the cord socket (1) and your wall outlet (2) as illustrated (B).

Connect the foot control plug into the machine socket (3).



## POWER/LIGHT SWITCH

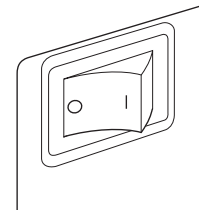
Your machine will not operate until the power/light switch is turned on. The same switch controls both the power and the light.

When servicing the machine, or changing needles, etc., machine must be disconnected from the power supply.

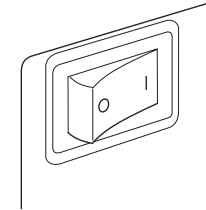


Always disconnect the machine from power supply by removing the plug from the wall-outlet.

Power/light switch "OFF"



Power/light switch "ON"

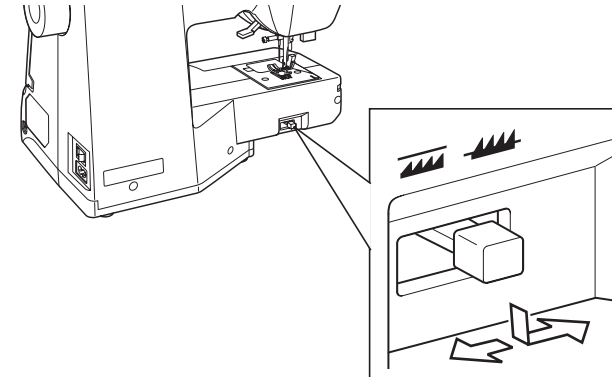


## FEED DOG CONTROL

The feed dogs control the movement of the fabric that is being sewn. They should be raised for all general sewing purposes and lowered for darning, freehand embroidery and monogramming so that you, not the feed dogs, are guiding the fabric.

### How to raise the Feed Dogs:

1. Make sure that your presser foot is in the raised (up) position, and that the needle is in the highest position.
2. With the back of the machine facing you, push the feed dog lever down and towards the right (symbol that shows the feed dogs above the line).
3. Turn the machine so that it now faces you, turn the handwheel counterclockwise (towards you) until you hear or see the feed dogs click back into place.



## SPOOL PINS

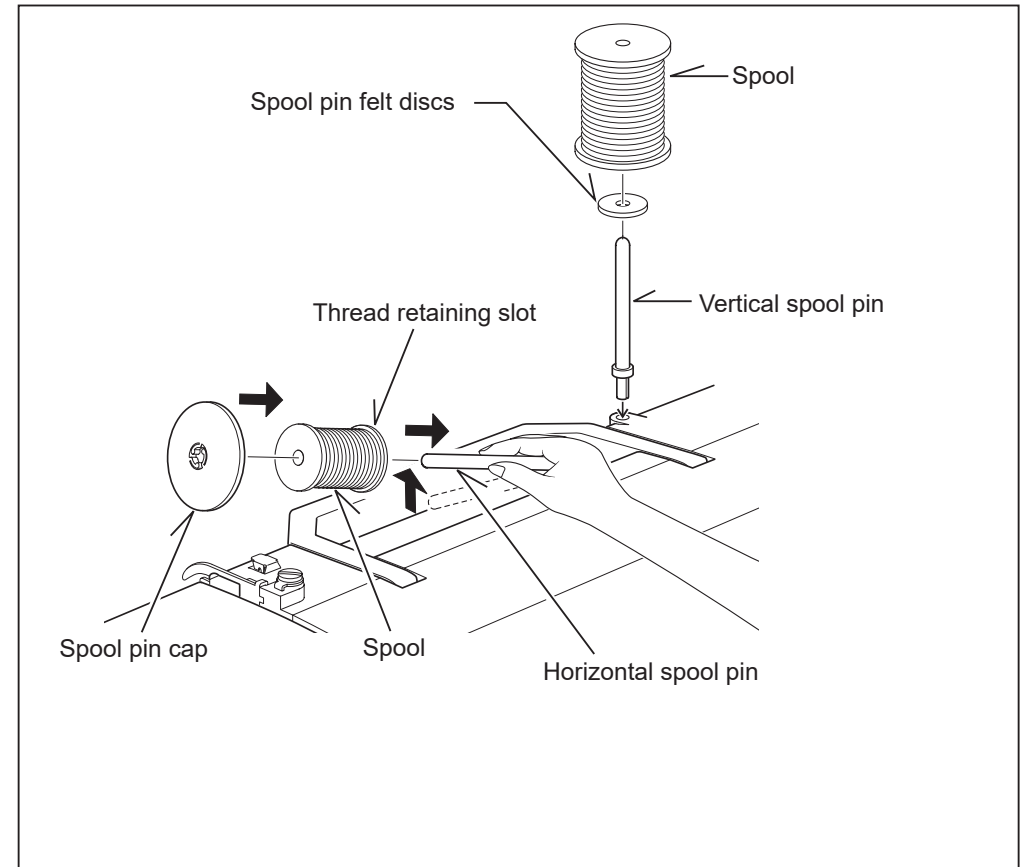
### HORIZONTAL SPOOL PIN for normal thread spools

Place thread spool on the pin and secure with a spool cap to ensure smooth flow of thread. If the thread spool has a thread retaining slit, it should be placed to the right.

Select the correct spool pin cap according to the type and diameter of spool being used. The diameter of the spool pin cap should always be larger than that of the spool itself.

### VERTICAL SPOOL PIN for large thread spools

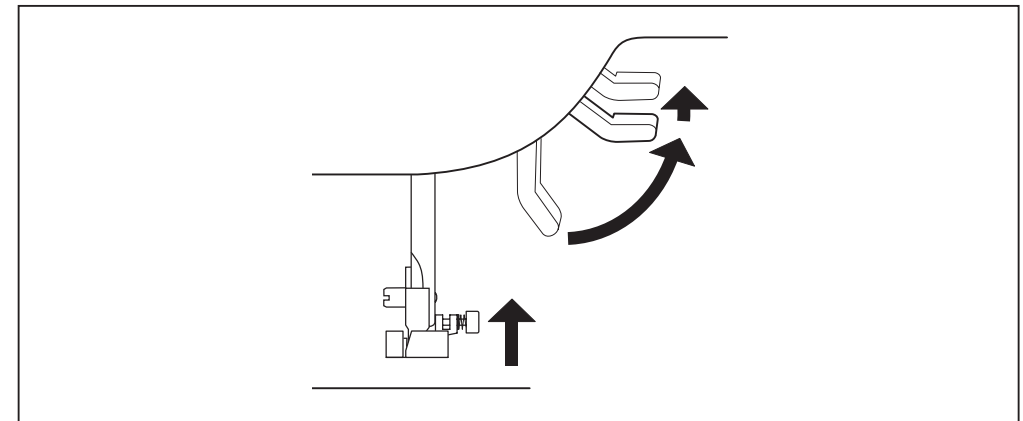
Attach the spool pin and place a felt disc over it. Place a spool of thread on the spool pin.



## PRESSER FOOT LIFTER

There are three positions for your presser foot.

1. Lower the presser foot to sew.
2. Raise the lifter to the middle position to insert or remove fabric, and to change presser foot.
3. Lift it to its highest position to accommodate thicker fabrics.



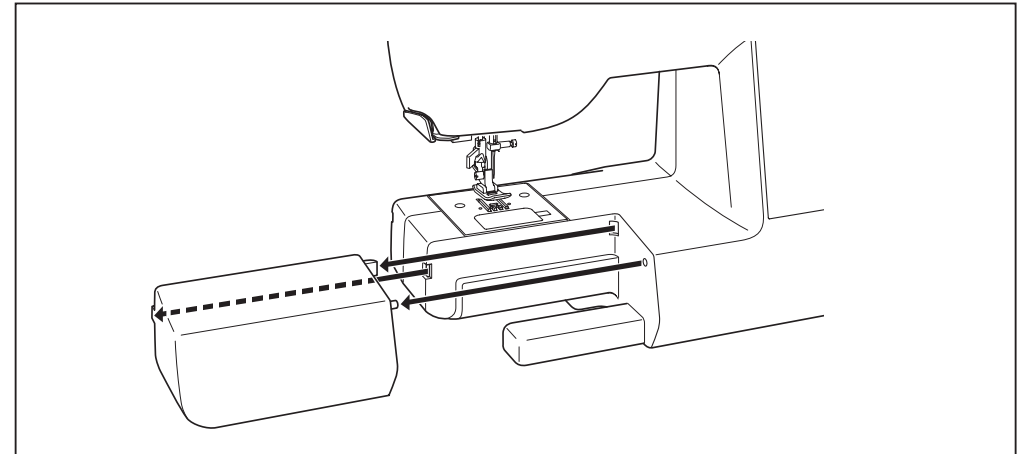
## CONVERTING TO FREE-ARM SEWING

Your machine can be used either as a flat-bed or as a free-arm model.

With the extension table in position, it provides a large working surface as a standard flat-bed model.

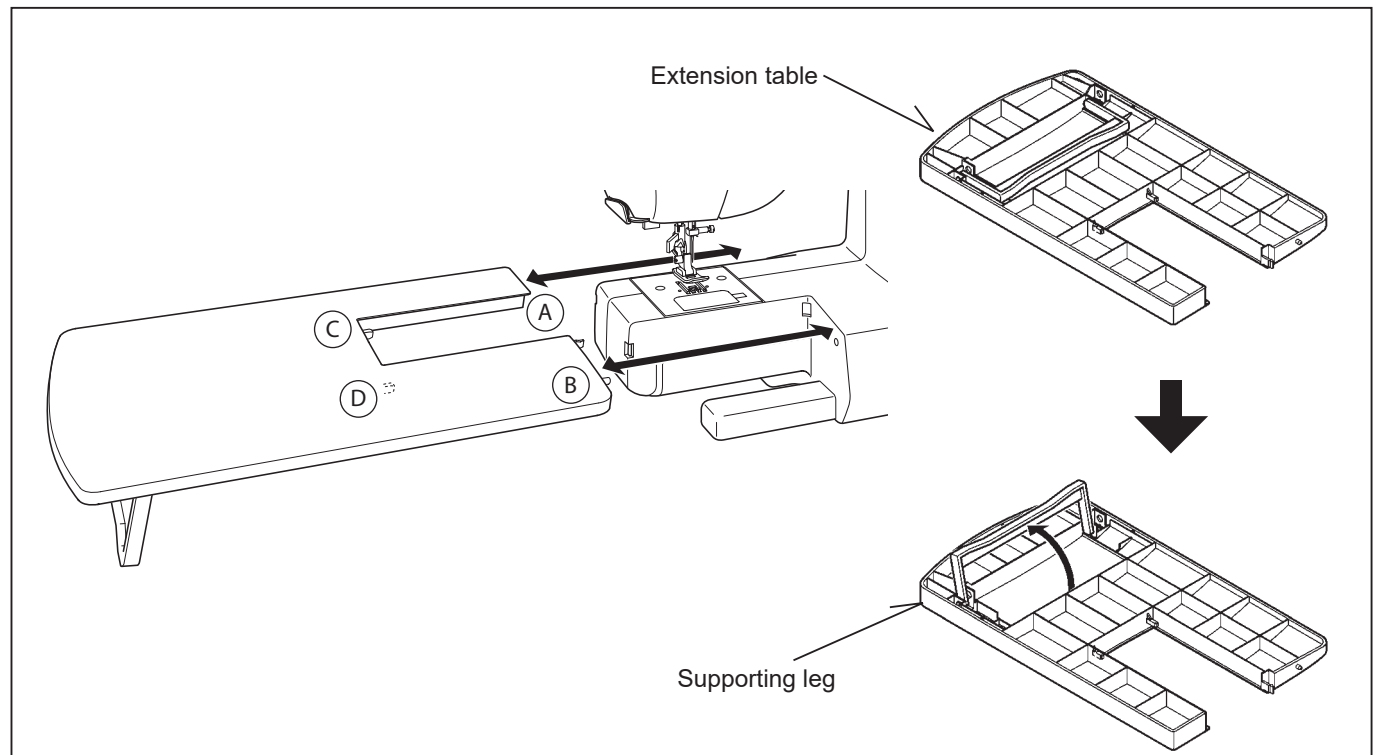
To remove the extension table, hold it firmly with both hands and pull it off to the left as shown. To replace, slide the extension table back into place until it clicks.

With the extension table removed the machine converts into a slim free-arm model for sewing children's clothes, cuffs, trouser legs, and other awkward places.



## LARGE EXTENSION TABLE (optional)

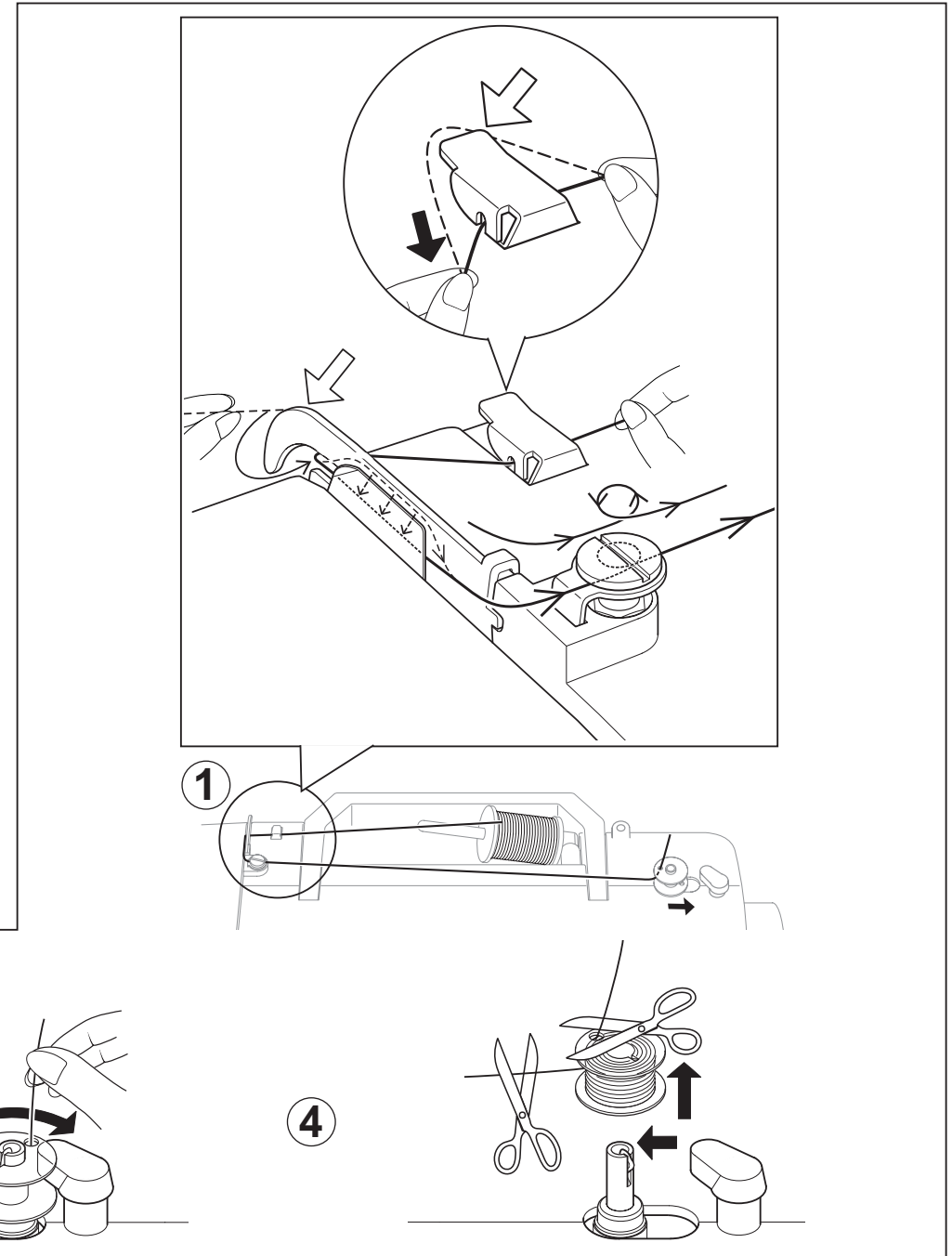
To place onto the machine, lift the supporting leg of the extension table, and slide the table into place while fitting the guide pins A, B, C and D into machine as illustrated.



## WINDING THE BOBBIN

**Be sure to use Class 15 J bobbins.**

1. Place a spool of thread on the spool pin, and secure it with the spool pin cap. Pull the thread out from the spool and place it through thread guides as shown in illustration.
2. Put end of thread through the hole in bobbin as shown.
3. Push bobbin winder shaft to far left position, if it is not already there. Place bobbin onto shaft with end of thread coming from top of bobbin. Push bobbin winder shaft to the right until it clicks. Hold the end of thread.
4. Start machine and the bobbin starts to wind. Bobbin will automatically stop turning when completely filled. Push shaft to the left to remove bobbin and cut thread.





## THREADING THE BOBBIN THREAD

1. Raise the needle to its highest position by rotating the hand wheel toward you.

2. Remove the bobbin cover plate by pushing the release button to the right. Bobbin cover will pop up sufficiently to allow you to remove the cover.

3. Insert the bobbin making sure the bobbin rotates counter-clockwise when you pull the thread.

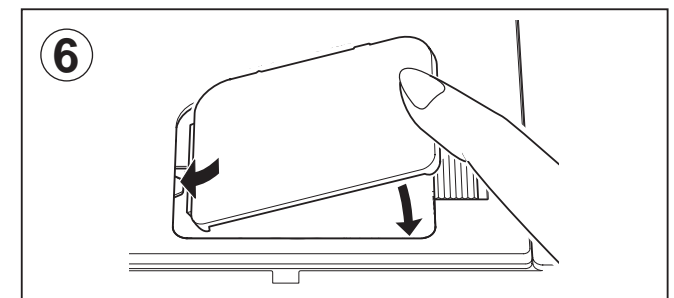
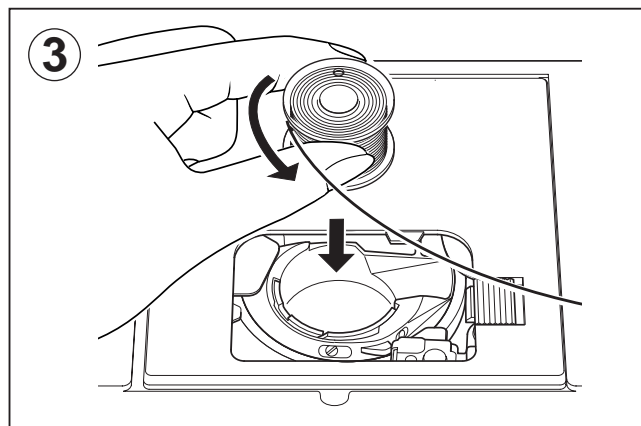
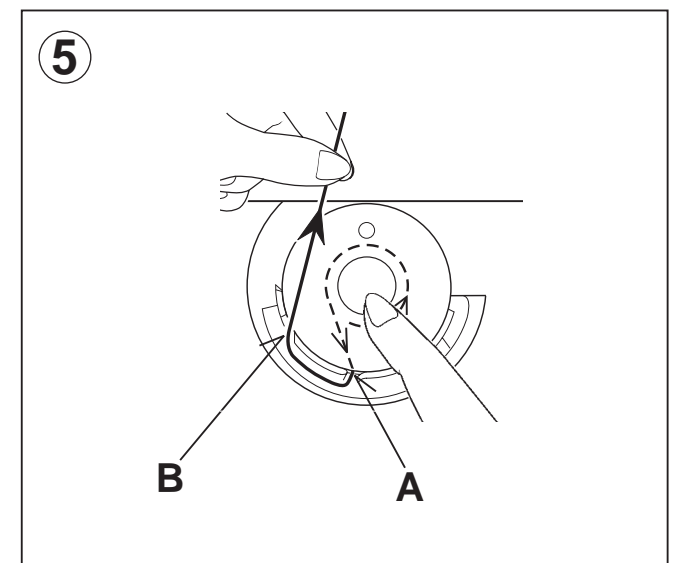
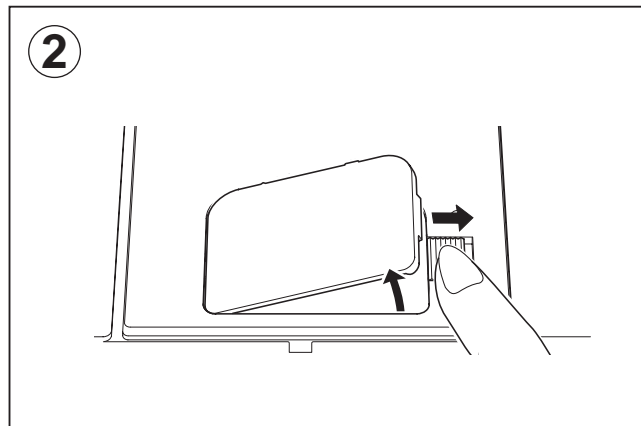
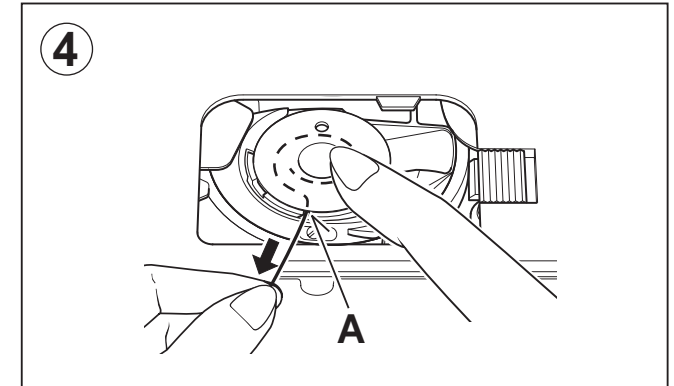
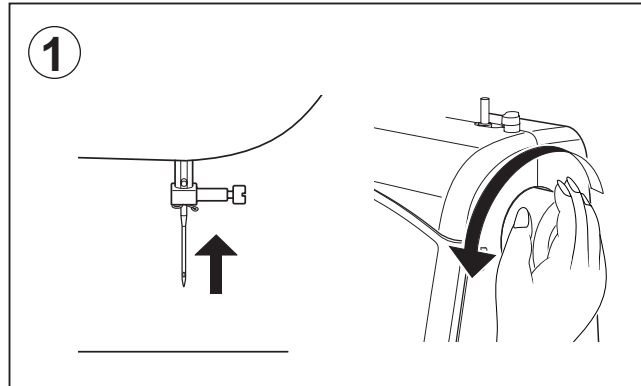
**NOTE: This is a very important step. The bobbin must rotate counterclockwise when thread is pulled.**

4. Pull thread through the slot (A) and then to the left.

5. With a finger held gently on top of the bobbin, pull the thread until it stops in slot (B). Then pull about 6" (15 cm) of thread and lead it towards back of the machine under the presser foot.

**NOTE: This is also a very important step to assure the bobbin thread does not slip out of position.**

6. Replace the clear bobbin cover plate onto the needle plate.



## THREADING THE TOP THREAD

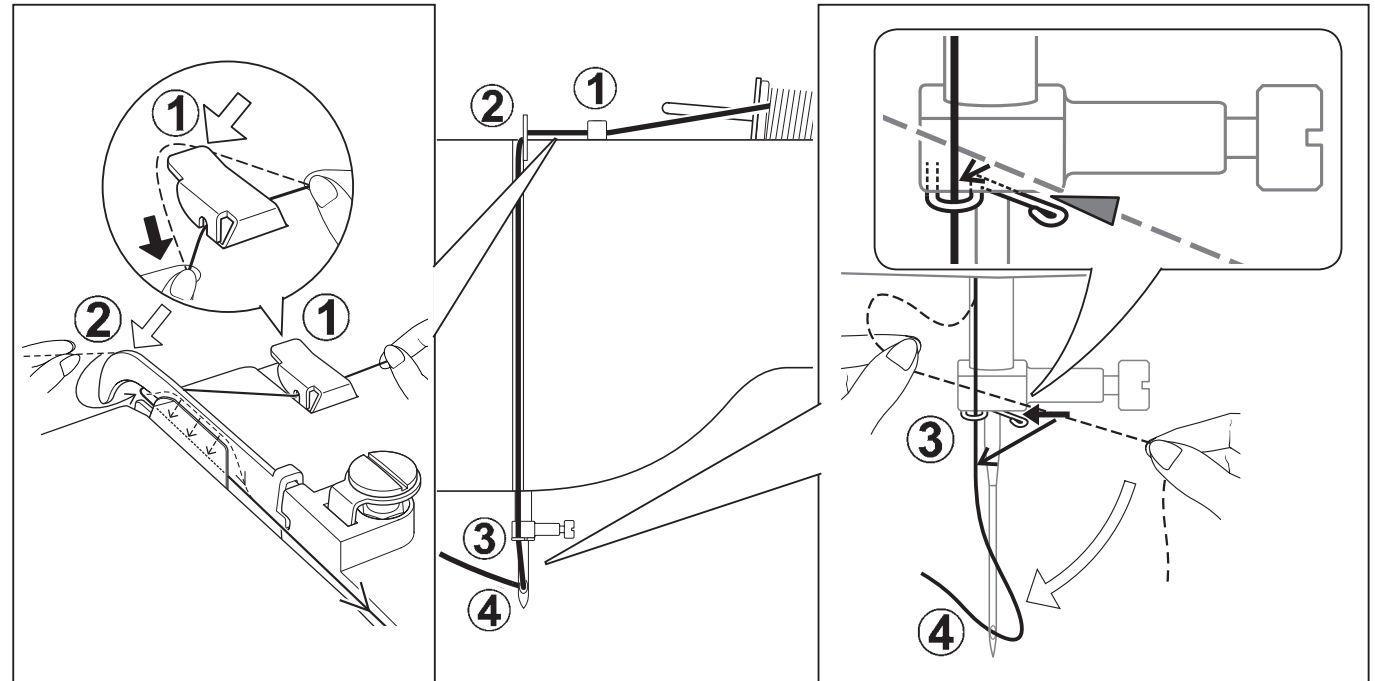
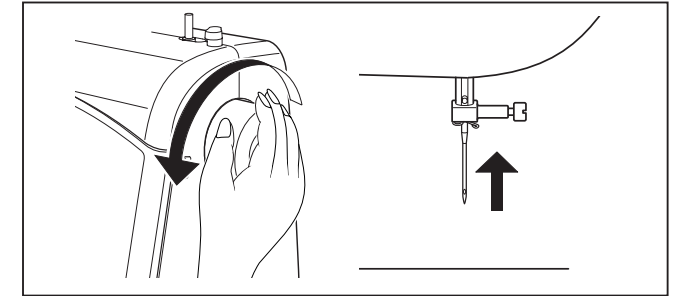
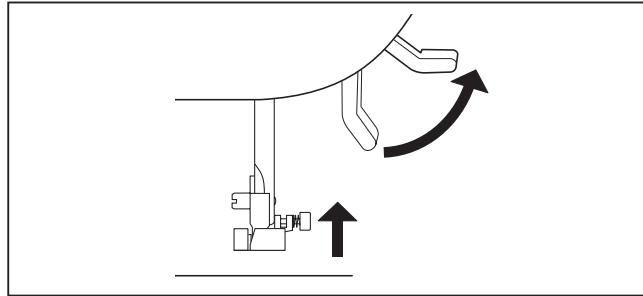
- A. Raise the presser foot lifter. Always be sure to raise the presser foot lifter before threading the top thread. (If the presser foot lifter is not raised, correct thread tension cannot be obtained.)
- B. Turn the hand wheel toward you until the needle is in its highest position.
- C. Thread the machine with your left hand while firmly gripping the thread with your right hand in the following order as illustrated.

- \* Guide the thread through thread guide (1), and then pull it into the pre-tension guide (2).
- \* Pull the thread into the tension discs, passing the thread to the left of plate (2). Then guide the thread to the bottom of the groove.
- \* Guide the thread into the thread guide (3).
- \* Pass the thread through the eye of the needle (4) from front to back. (See following page for instructions on operation of the Automatic Needle Threader.)

### IMPORTANT:

To verify that the machine is threaded properly in the tension discs, do this simple check:

- 1.) With the presser foot raised, pull the thread towards the back of the machine. You should detect only a slight resistance and little or no deflection of the needle.
- 2.) Now lower the presser foot and again pull the thread towards the the back of the machine. This time you should detect a considerable amount of resistance and much more deflection of the needle. If you do not detect the resistance you have miss-threaded the machine and need to re-thread it.



## USING AUTOMATIC NEEDLE THREADER

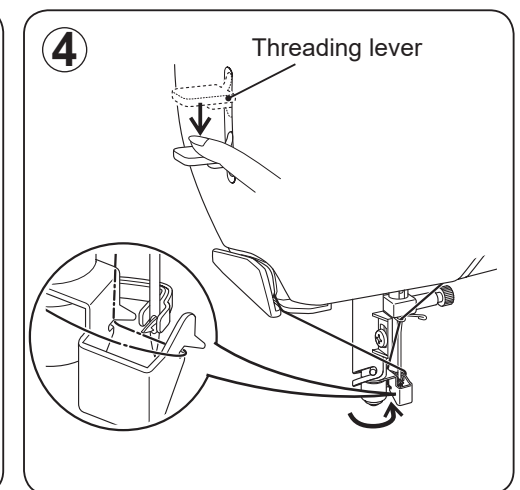
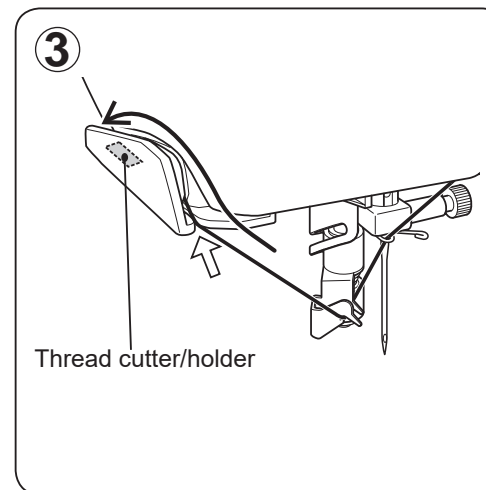
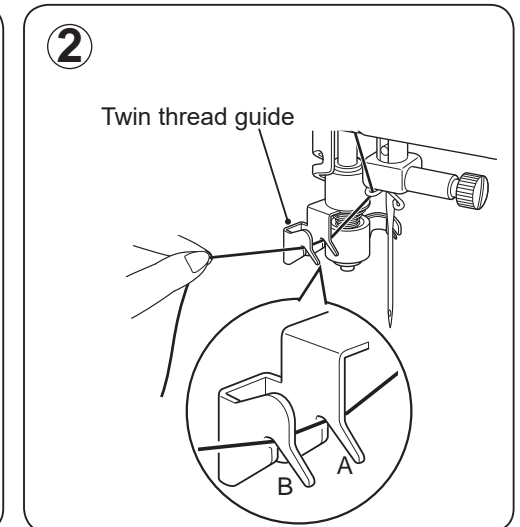
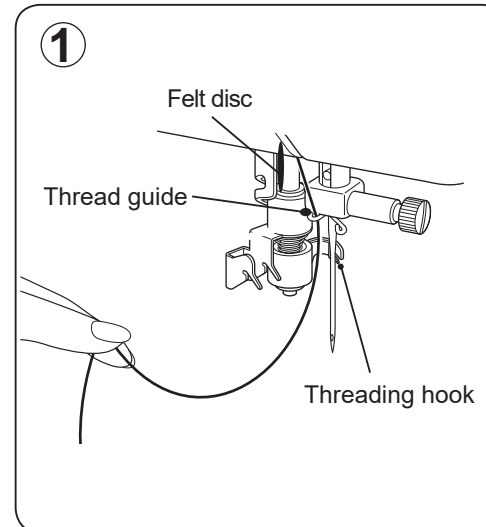
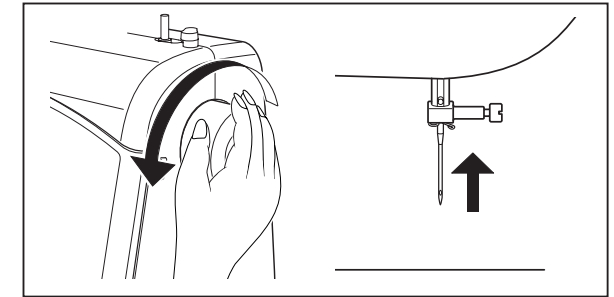
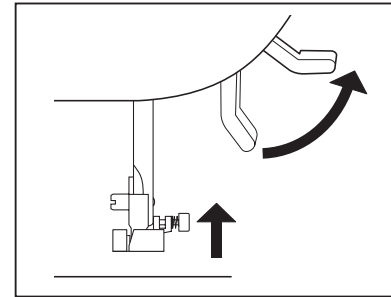
★ Be sure to raise the presser foot lifter and raise the needle to its highest position before threading.

1. Thread the machine with your left hand while gripping the thread with your right hand. Hook thread to the thread guide on the needle bar and pull it toward you leaving about 4" (10 cm) clear.
2. Hook thread to the twin thread guide (A and B).
3. Pull thread gently into the thread cutter/holder to cut and hold it in place.

**Don't pull thread with strong force or thread may be pulled off from needle hole after threading.**

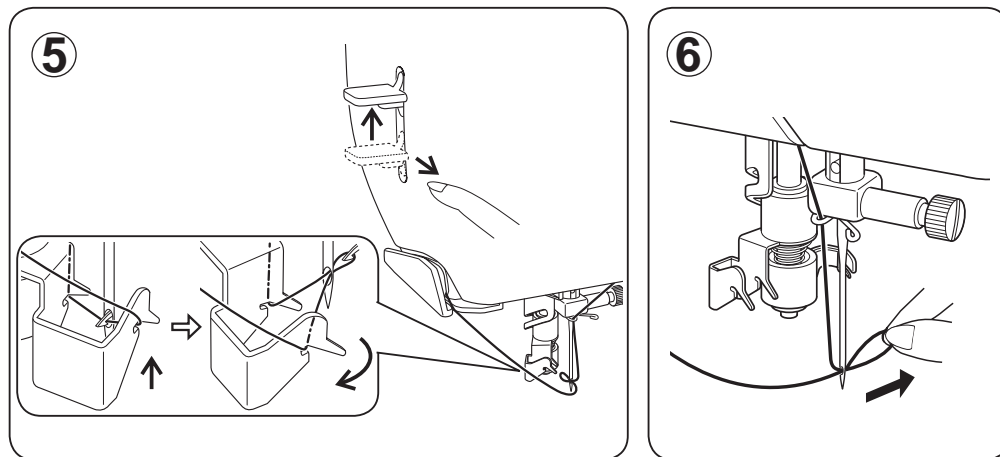
4. Pull down the threading lever to its lowest position until the twin thread guide rotates and stops.

**Make sure that the guide doesn't touch fabric, etc.**



5. Release the threading lever and needle will be threaded automatically. If it should not return to the original position, raise it gently by hand.

6. Pull thread loop away from you.



If the needle has not been threaded correctly, re-thread from step 1.

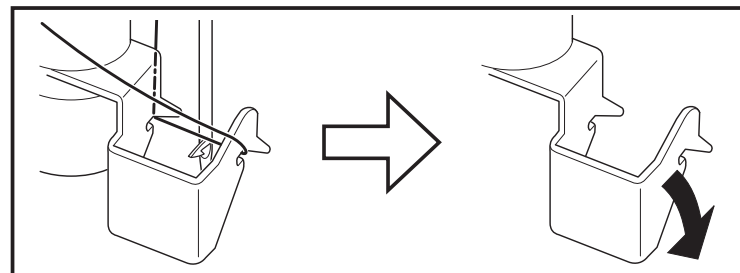
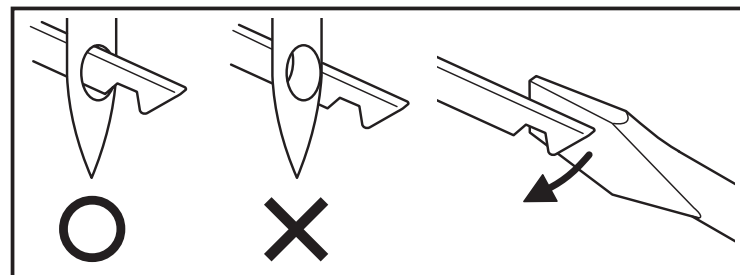
**NOTE:**

- ★ For smooth threading, it is recommended that the machine be set for straight stitch (in center needle position) when using the automatic needle threader.
- ★ Heavy thread cannot be threaded through fine needle.
- ★ Don't lower the threading lever while the machine is in operation or the threading hook may be broken.

**IMPORTANT:** If the needle cannot be threaded due to the nature of thread, manually thread the needle after hooking thread to the thread guide on the needle bar.

**HELPFUL SUGGESTIONS:**

- ★ Put a drop of sewing machine oil onto the felt disc, if the machine is used after a long interval.
- ★ If the threading hook is deviated from needle hole, adjust the position of the hook using a small screw driver.
- ★ If the threading hook cannot catch thread, adjust the vertical position by bending the twin thread guide.

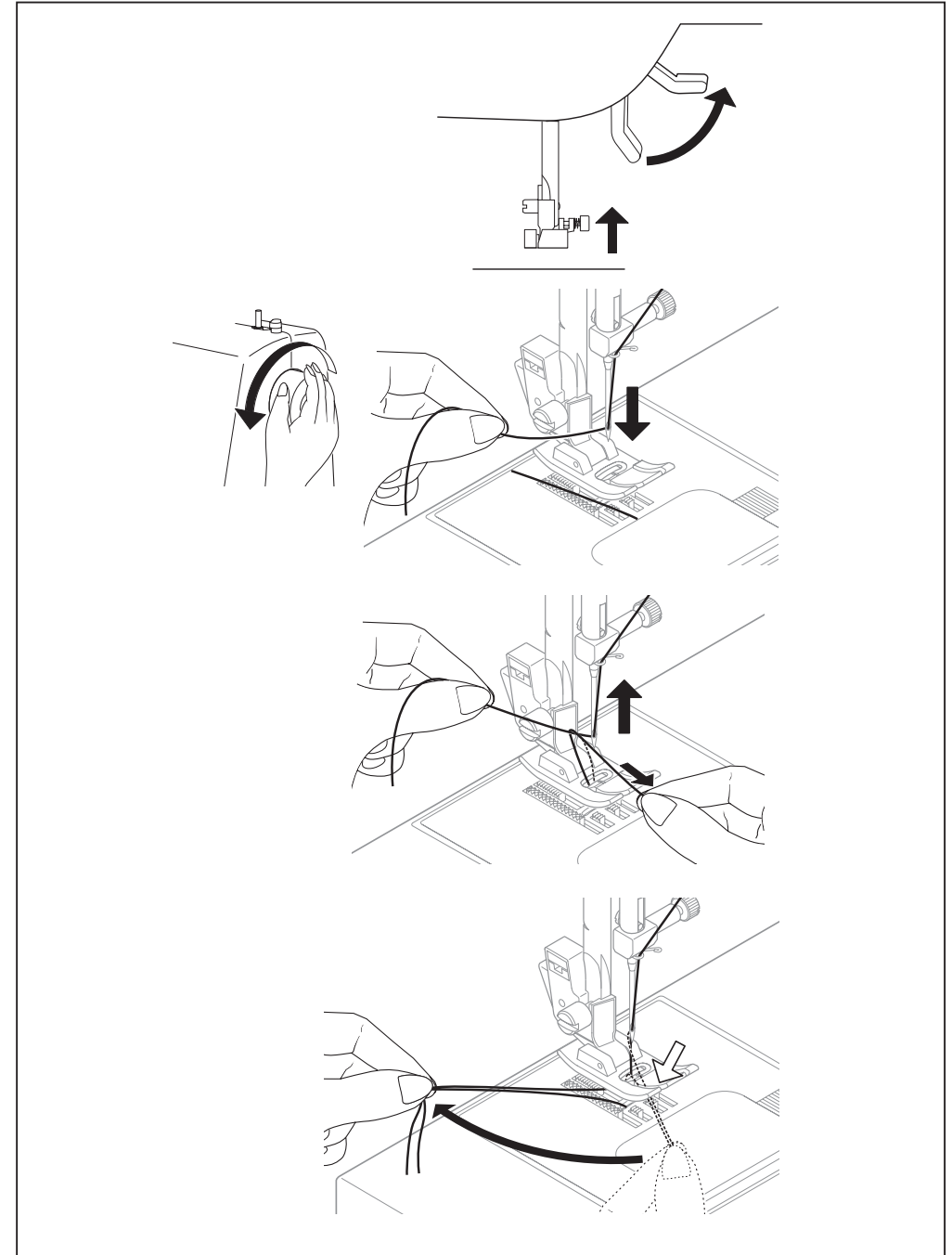


## PICKING UP BOBBIN THREAD

1. Raise the presser foot lifter.
2. Holding needle thread loosely with your left hand, turn hand wheel toward you (counterclockwise) with your right hand, first lowering the needle and continuing until the needle comes to its highest position.

**NOTE: A quick way to pick up the bobbin thread is, with straight stitch selected, touch and release the reverse switch. Your machine will perform one down-up cycle and stop with the needle up. Always stopping with the needle "fully up" is one of the features of your electronic sewing machine.**

3. Lightly pull up the top thread, and pick up bobbin thread, which will appear through the needle plate slot.
4. Pull both top and bobbin threads together toward the back of the machine under the presser foot, leaving about 6" (15 cm) clear.



## NEEDLE, THREAD AND FABRIC CHART

Use the standard needles. The size of your needle should match the size of the thread and both should match the fabric.

For normal sewing, the same size and type of thread should be used in the bobbin as

on the upper part of the machine.

Never use a bent or dull needle.

For successful sewing of stretch fabrics use stretch stitch needles.

Thread Size	Needle Size	Fabric
Cotton 60 - 100 Synthetic Machine embroidery	Stretch stitch needle	All stretch fabrics.
Cotton Synthetic Silk A Machine embroidery	70 or 80	Sheer cottons, silk synthetics, fine laces, batiste, dimity.
Cotton 60 - 80 Mercerized 50 - 60 Synthetic	80 or 90	Medium weight cottons, medium weight synthetics, poplin, seersucker, gingham, velvet, light weight woollens, linen.
Cotton 30 - 60 Mercerized heavy duty	100	Heavy weight cottons, medium to heavy weight woollens, denim.

## Changing the needle

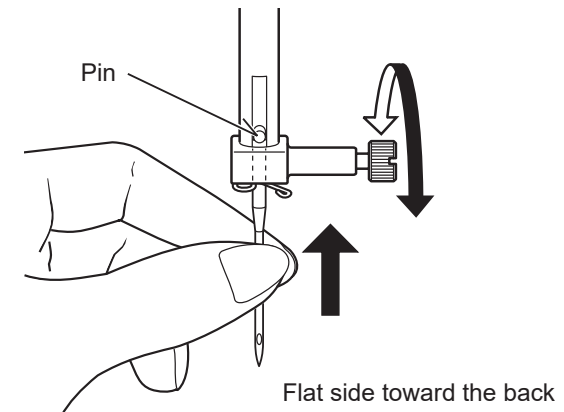
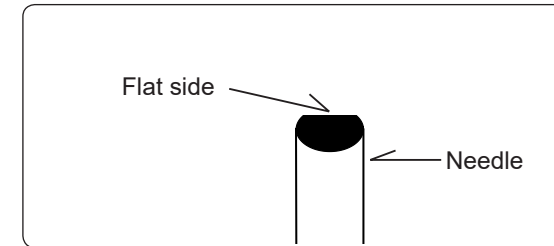
1. Raise the needle bar to its highest position by turning the hand wheel counter clockwise.
2. Loosen the needle clamp screw by turning it counter clockwise.
3. Remove the needle by pulling it downward.
4. Insert the new needle into the needle clamp with the flat side toward the back.
5. Push the needle up as far as it can go.
6. Tighten the needle clamp screw with the screw driver.

**NOTE: Tighten snugly, but do not over tighten.**

**Helpful Hint: Placing a scrap of fabric under the presser foot and lowering the presser foot makes it easier to change the needle and will preclude dropping the needle into the needle plate slot.**



Always disconnect the machine from power supply by removing the plug from the wall-outlet.



## ADJUSTING TOP THREAD TENSION

90% of your sewing will be accomplished with the word "AUTO" exposed on the tension control dial on top of the machine.

**Helpful Hint: A slight adjustment to a higher number or a lower number may improve sewing appearance.**

## STRAIGHT STITCHING

The correct appearance of your stitching is largely determined by the balanced tension of both top and bobbin threads. The tension is well balanced when these two threads 'lock' in the middle of layers of the fabric you are sewing.

If, when you start to sew, you find that the stitching is irregular, you will need to adjust the tension control. Do this, however, only after you have determined that the machine is correctly threaded (see page 24 - 25).

Make all adjustments with presser foot 'down'.

A balanced tension (identical stitches both top and bottom) is usually only desirable for straight stitch sewing.

## ZIG ZAG and DECORATIVE SEWING

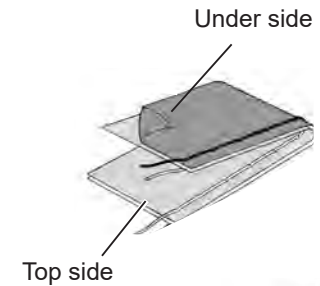
For zigzag sewing and decorative stitch functions, thread tension should be less than for straight stitch sewing.

You will always obtain a nicer stitch and less puckering when the upper thread appears slightly on the bottom side of your fabric.

## BOBBIN TENSION

The bobbin tension has been correctly set at the factory, so you do not need to adjust it.

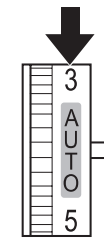
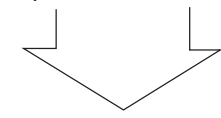
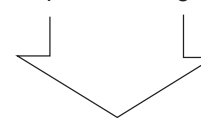
### Well balanced



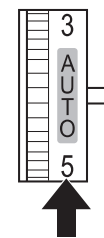
Top stitch too tight



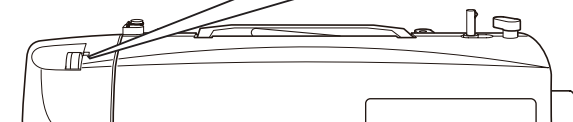
Top stitch too loose



Decrease tension



Increase tension

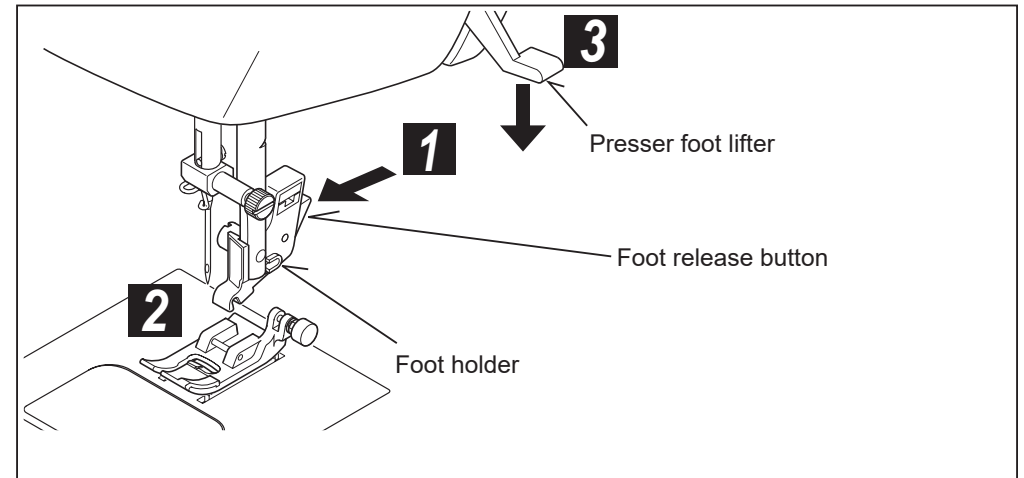




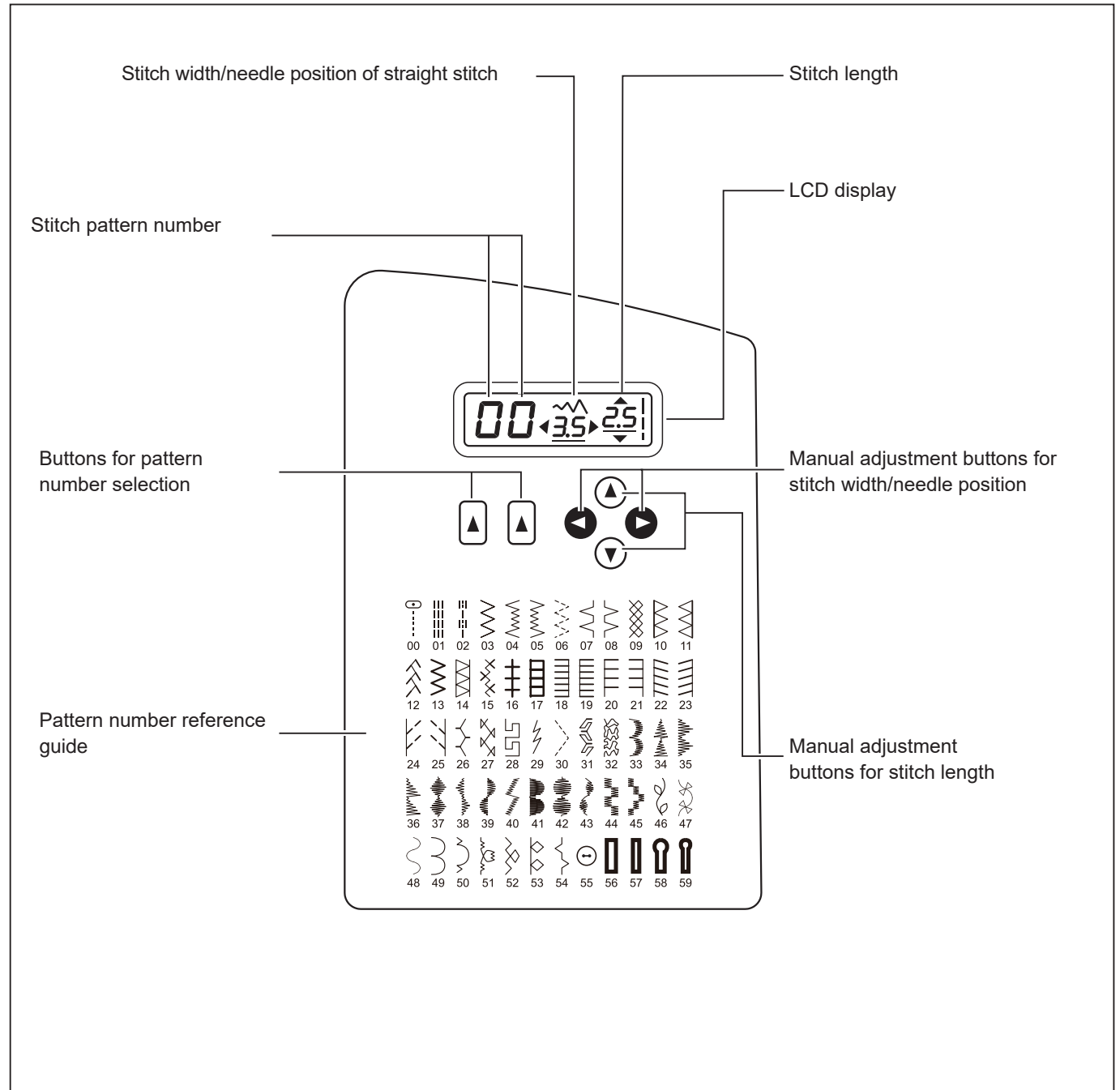
## CHANGING PRESSER FOOT

Be sure needle is in the up position. Raise presser foot lifter.

1. Push presser foot release button to remove the foot.
2. Place the desired foot on the needle plate aligning the presser foot pin with the foot holder.
3. Lower the presser foot lifter so that the foot holder snaps on the foot.



# FUNCTIONS OF CONTROL PANEL

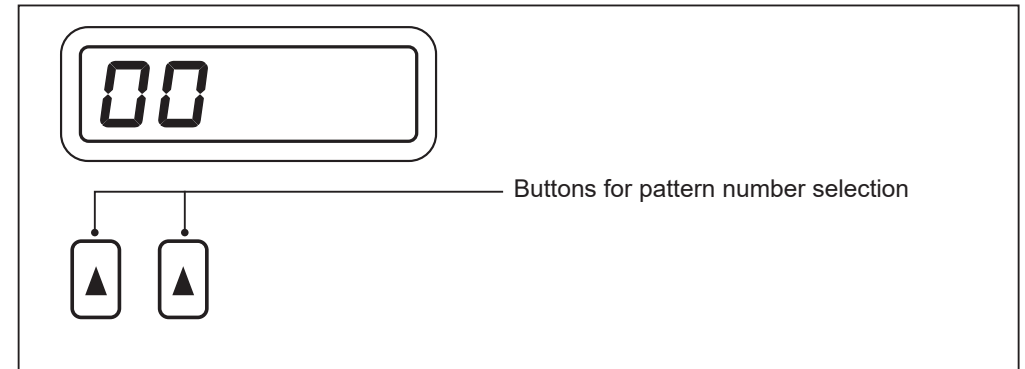


## PATTERN NUMBER SELECTION BUTTONS

When the machine is turned on, straight stitch is selected and pop-up screen for individual preference settings appears on the LCD display.

To select stitch patterns, use left button for pattern number selection to select left digit and right button to select right digit referring to pattern number reference guide.

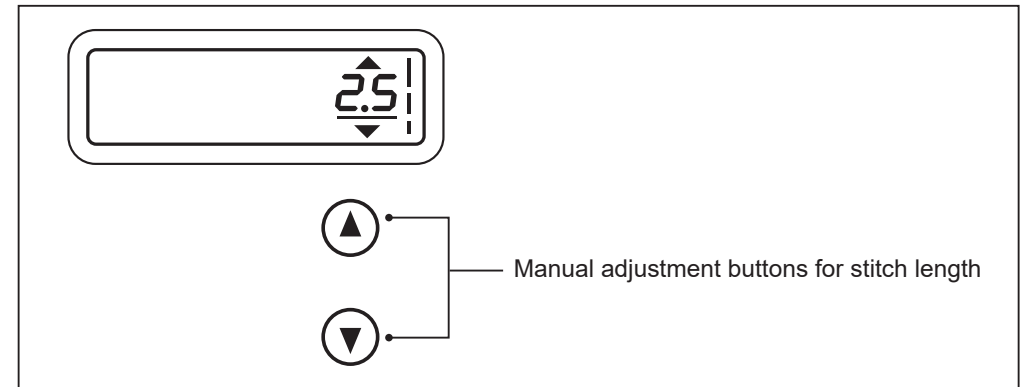
Both left and right digits scroll up to 9.



## STITCH LENGTH AND STITCH WIDTH/NEEDLE POSITION ADJUSTMENT BUTTONS

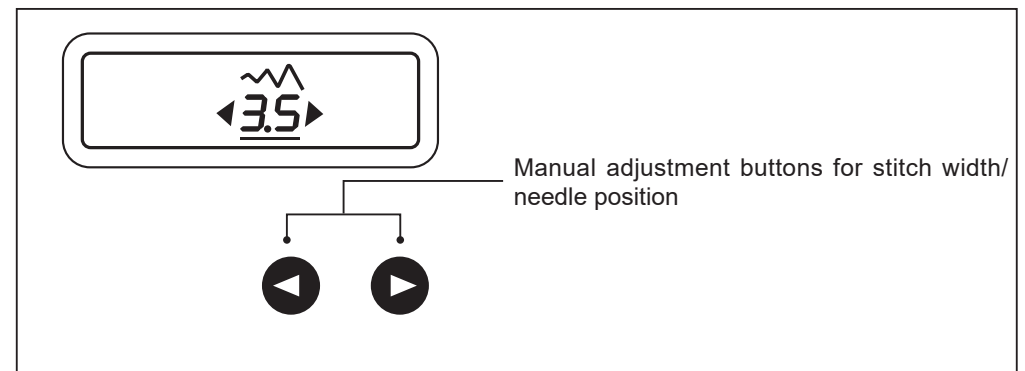
Your sewing machine will produce your stitching requirements at an Auto/Default stitch Length and Width.

Default settings of stitch length and width are underlined on the display.



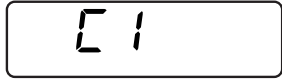


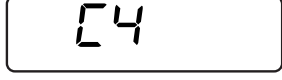
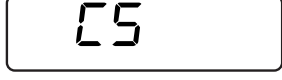


You can manually change the length, width or needle position for straight stitch according to your preference pushing manual adjustment buttons.

**NOTE: Some patterns offer more options for manual adjustments than others.**



## HELPFUL MESSAGES

If an incorrect operation is made, a helpful message will be displayed. When a helpful message is displayed, fix the problem following the instructions below.

<p>Bobbin winder is moved to right (operating position) during sewing. → Check bobbin winder and move it to left.</p>	
<p>Buttonhole lever is not lowered or raised. → Lower buttonhole lever when sewing buttonholes. → Raise buttonhole lever when sewing stitch patterns.</p>	
<p>Foot control plug is pulled out, while operating foot control. → Push in foot control plug.</p>	
<p>Machine is locked up due to thread entangled with bobbin case or rotation interrupted forcibly. → Turn off power switch and eliminate the problem that caused the machine to stop.</p>	
<p>Reverse/tacking stitch button is pushed, while buttonhole stitch is selected. → Tacking stitch is made automatically after buttonhole stitch is completed. It is not necessary to push the reverse/tacking stitch button.</p>	
<p>Needle thread is cut or comes off. → Raise presser foot lever and re-thread needle.</p>	
<p>Bobbin winder is in operation. → Move bobbin winder to left when it is not used.</p>	

## OPERATION BUTTONS

### START/STOP BUTTON ( )

When sewing without having the foot controller connected, the machine starts slowly when the start/stop button is pushed. When it is pushed again, needle moves and stops at its highest position.

When using foot control, simply press foot pedal with your foot until you reach a slow even speed. The harder you push, the faster the machine will sew. Release pressure on foot pedal to stop the machine.

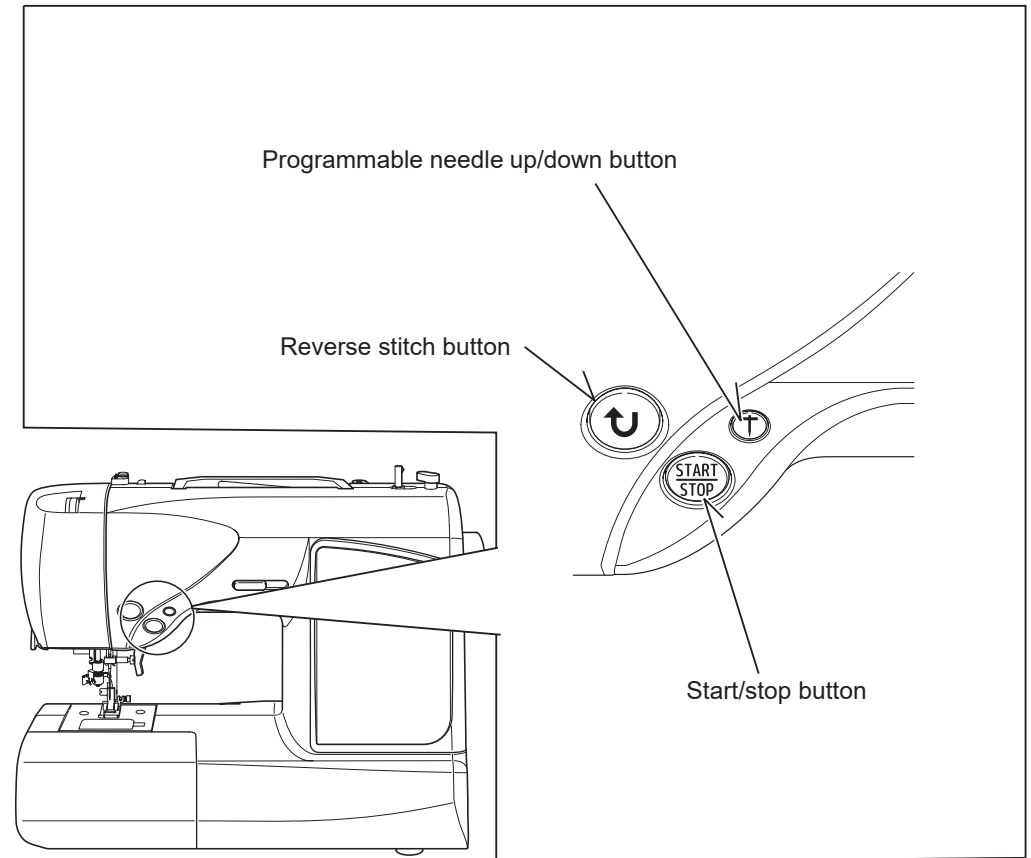
Slow mode is available by pressing and holding the start/stop button when the foot controller is disconnected.

**NOTE: When foot control is connected, start/stop button cannot be used.**

### PROGRAMMABLE NEEDLE UP/DOWN BUTTON ( )

Push the switch and needle will stop at down position whenever you stop sewing.

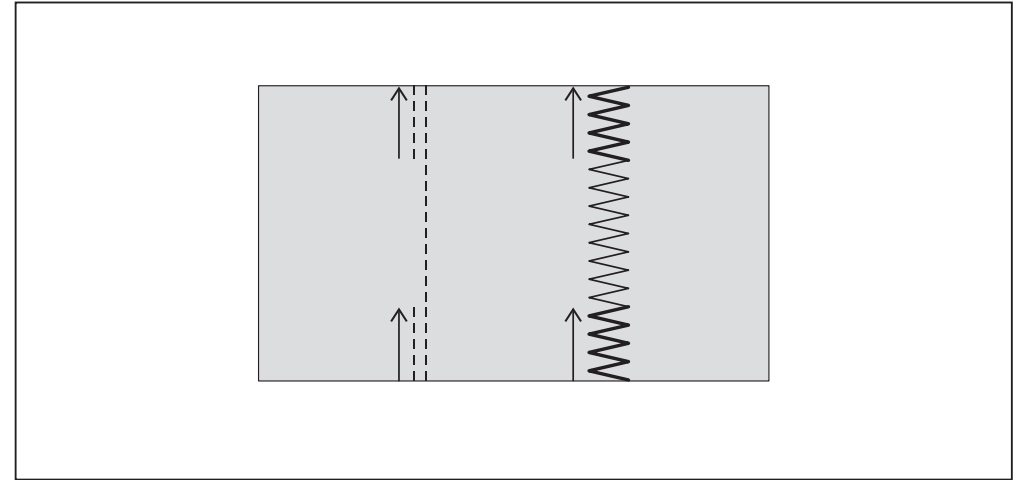
Push it again to stop needle at up position.




## DUAL PURPOSE REVERSE/TACKING STITCH BUTTON

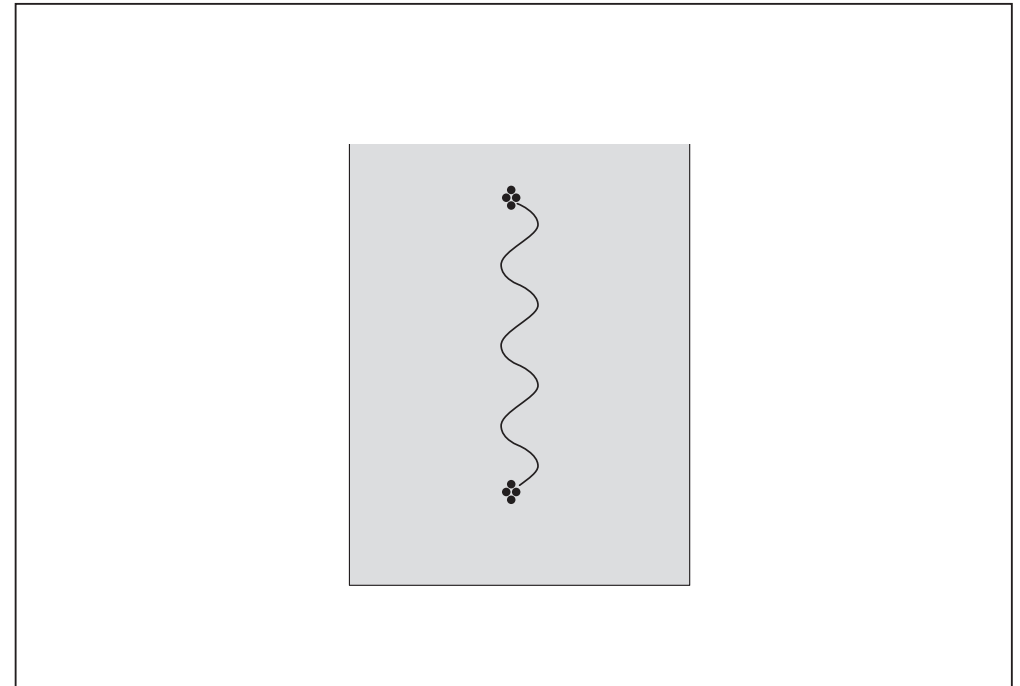
- \* **Reverse stitch function for straight and zigzag stitches (  )**  
Reverse sewing is carried out while the reverse stitch button is pushed.

The machine will continue to sew in reverse as long as the reverse button is pressed.



- \* **Tacking stitch function for tie-off of other stitches (  )**  
The sewing machine makes 4 tiny tacking stitches to tie off the sewing on all patterns except straight, zigzag and buttonhole stitches. The position of the tacking stitches will be at the exact spot in the pattern where the reverse/tacking stitch button is pushed.

**NOTE:** This function is very useful for tying off the sewing pattern to avoid raveling at the start and end of sewing.

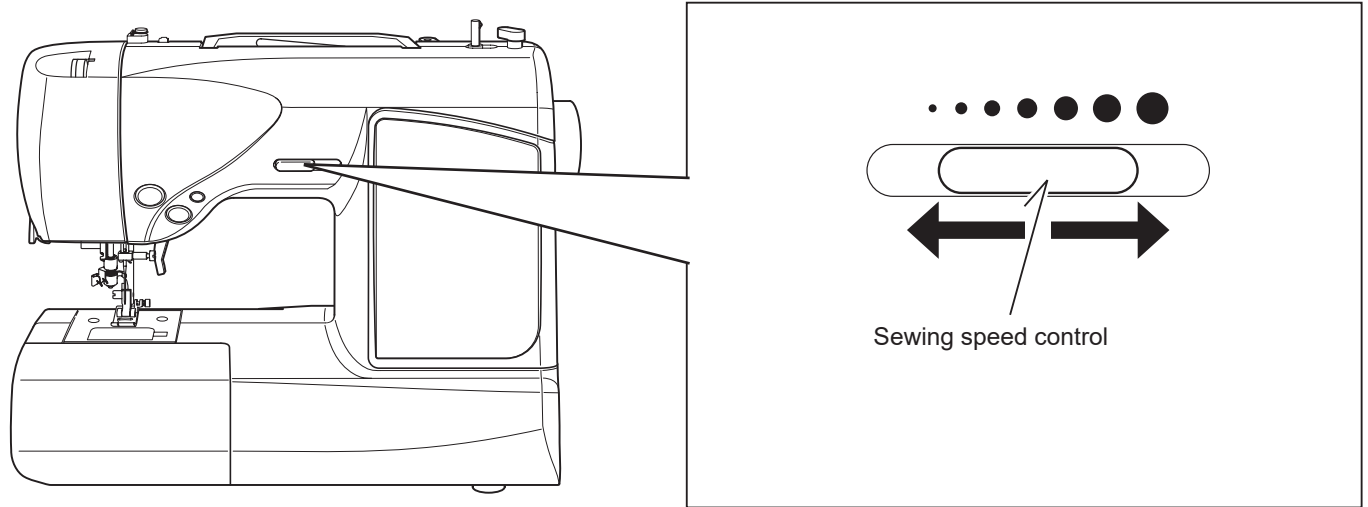


## SEWING SPEED CONTROL

Sewing speed is set by using the sewing speed control. The sewing speed control is moved horizontally to determine the amount of speed required.

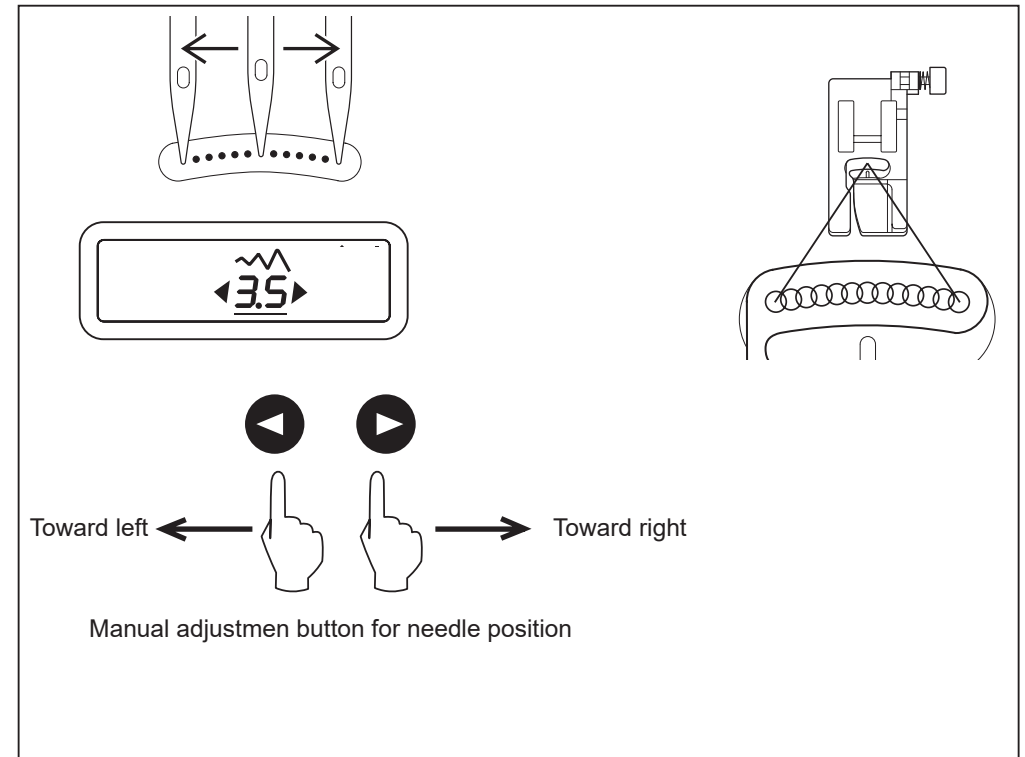
Regardless of the setting, maximum speed may be limited depending on which pattern has been selected.

**NOTE:** When using the foot control, if the sewing speed control is set on the lower setting, the machine will not sew faster than the speed at which the speed control is set, even when the foot control is fully depressed.



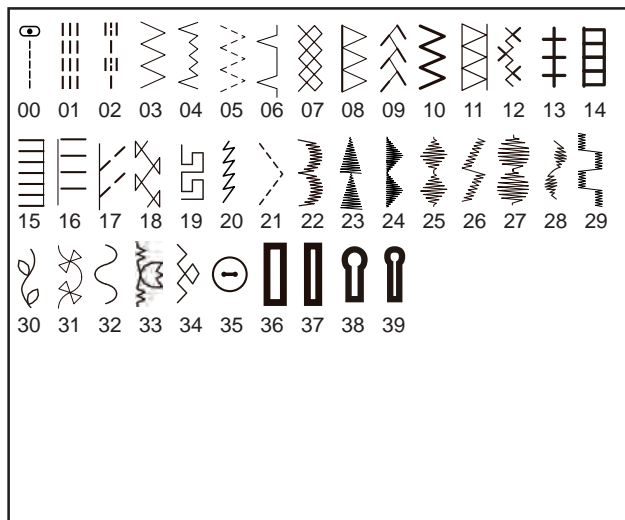
## STRAIGHT STITCH NEEDLE POSITION

The position of the needle when sewing straight stitch may be adjusted to anyone of 13 different positions with the Stitch Width Control as illustrated:

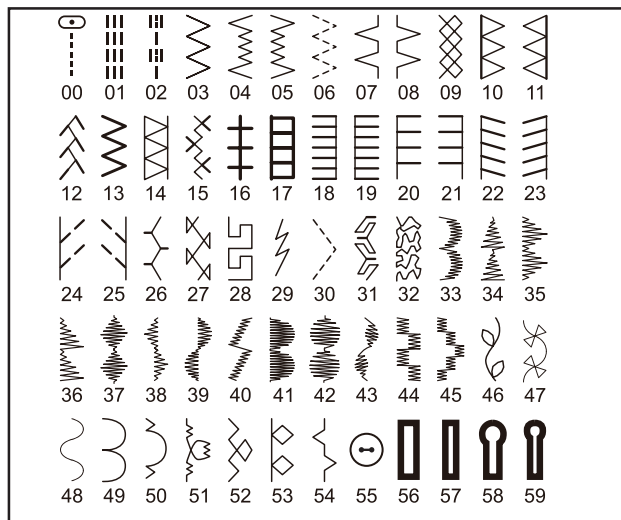


# PATTERN NUMBER REFERENCE GUIDE

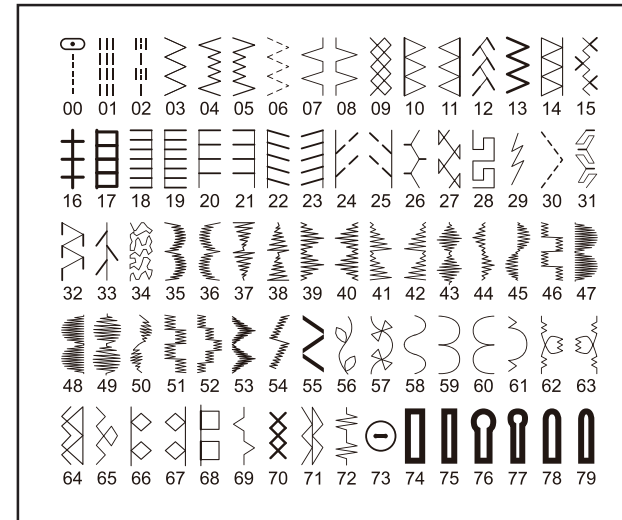
## 40 stitch model



## 60 stitch model




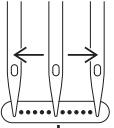


## 80 stitch model




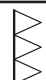






















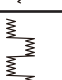

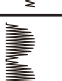

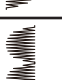
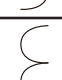






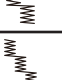

## 2. STARTING TO SEW
















QUICK REFERENCE TABLE OF STITCH  
LENGTH AND WIDTH

STITCH	PATTERN No.			NEEDLE POSITION		LENGTH(mm)		
	80 stitch model	60 stitch model	40 stitch model	AUTO	MANUAL	AUTO	MANUAL	
	00	00	00	CENTER		LEFT - RIGHT	2.5	0.5 - 4.5
	01	01	01				2.5	1.5 - 2.5
	02	02	02	-	-	2.5	2.0 - 4.0	

STITCH	PATTERN No.			WIDTH(mm)		LENGTH(mm)		STITCH	PATTERN No.			WIDTH(mm)		LENGTH(mm)	
	80 stitch model	60 stitch model	40 stitch model	AUTO	MANUAL	AUTO	MANUAL		80 stitch model	60 stitch model	40 stitch model	AUTO	MANUAL	AUTO	MANUAL
	03	03	03	5.0	0 - 6.0	2.0	0.5 - 3.0		09	09	07	6.0	3, 4.5, 6	2.0	1.5 - 2.5
	04	04	04	3.0	2, 3, 4, 5, 6	2.0	1.0 - 3.0		10	10	08	3.5	3.5 - 6.5	2.5	1.5 - 2.5
	05	05	-	3.0	2, 3, 4, 5, 6	2.0	1.0 - 3.0		11	11	-	3.5	3.5 - 6.5	2.5	1.5 - 2.5
	06	06	05	6.0	2.5, 3, 4.5, 6	1.5	0 - 2.5		12	12	09	6.0	3, 4.5, 6	2.0	1.0 - 2.5
	07	07	06	3.0	1.0 - 6.0	2.0	1.0 - 3.0		13	13	10	5.0	2.0 - 6.0	2.5	1.5 - 2.5
	08	08	-	3.0	1.0 - 6.0	2.0	1.0 - 3.0		14	14	11	3.5	3.5 - 6.5	2.5	1.5 - 2.5


STITCH	PATTERN No.			WIDTH(mm)		LENGTH(mm)		STITCH	PATTERN No.			WIDTH(mm)		LENGTH(mm)	
	80 stitch model	60 stitch model	40 stitch model	AUTO	MANUAL	AUTO	MANUAL		80 stitch model	60 stitch model	40 stitch model	AUTO	MANUAL	AUTO	MANUAL
	15	15	12	6.0	3, 4.5, 6	2.0	1.5 - 2.5		28	28	19	5.0	3.5, 5, 6	2.5	1.3 - 2.5
	16	16	13	3.0	2.0,- 3.0, 4, 5, 6	2.5	1.5 - 2.5		29	29	20	1.0	1.0	2.5	1.5 - 3.0
	17	17	14	3.5	1.0 - 6.5	2.5	1.5 - 2.5		30	30	21	6.0	3, 4, 5, 6	1.5	0.5 - 1.5
	18	18	15	3.0	1.0 - 6.5	2.5	1.5 - 2.5		31	31	-	5.0	3.5 - 6.0	2.5	1.5 - 2.5
	19	19	-	3.0	1.0 - 6.5	2.5	1.5 - 2.5		32	-	-	5.0	3.0 - 6.5	2.5	1.5 - 2.5
	20	20	16	3.5	1.0 - 6.5	2.5	1.5 - 2.5		33	-	-	5.0	1.0 - 6.0	2.5	0.8 - 2.5
	21	21	-	3.5	1.0 - 6.5	2.5	1.5 - 2.5		34	32	-	-	-	-	-
	22	22	-	3.5	1.0 - 6.0	2.0	0.8 - 2.5		35	33	22	6.0	3.5 - 6.0	0.5	0.5 - 1.5
	23	23	-	3.5	1.0 - 6.0	2.0	0.8 - 2.5		36	-	-	6.0	3.5 - 6.0	0.5	0.5 - 1.5
	24	24	17	5.0	1.0,- 3.0, 4, 5, 6	2.0	1.0 - 2.5		37	-	-	6.0	3.5, 5, 6	0.5	0.5 - 1.5
	25	25	-	5.0	1.0,- 3.0, 4, 5, 6	2.0	1.0 - 2.5		38	34	23	6.0	3.5, 5, 6	0.5	0.5 - 1.5
	26	26	-	5.0	3.5 - 6.0	2.5	1.5 - 2.5		39	35	24	6.0	3.5, 5, 6	0.5	0.5 - 1.5
	27	27	18	4.0	2, 4, 6	2.5	1.0 - 2.5		40	-	-	6.0	3.5, 5, 6	0.5	0.5 - 1.5

STITCH	PATTERN No.			WIDTH(mm)		LENGTH(mm)		STITCH	PATTERN No.			WIDTH(mm)		LENGTH(mm)	
	80 stitch model	60 stitch model	40 stitch model	AUTO	MANUAL	AUTO	MANUAL		80 stitch model	60 stitch model	40 stitch model	AUTO	MANUAL	AUTO	MANUAL
	41	36	-	6.0	3.5, 5, 6	0.5	0.5 - 1.5		53	-	-	6.0	3.5, 6.0	0.8	0.8 - 1.5
	42	-	-	6.0	3.5, 5, 6	0.5	0.5 - 1.5		54	40	26	6.0	3.0 - 6.0	0.5	0.5 - 1.5
	43	37	25	6.5	3.0 - 6.5	0.5	0.5 - 1.5		55	-	-	5.0	2.0 - 6.5	0.5	0.5
	44	38	-	6.0	3.0 - 6.0	0.5	0.5 - 1.5		56	46	30	6.0	3.5, 6.0	2.0	1.5 - 2.5
	45	39	-	6.0	3.0 - 6.0	0.5	0.5 - 1.5		57	47	31	6.0	3.5 - 6.0	2.5	1.5 - 2.5
	46	-	-	5.0	3.5 - 6.0	0.5	0.5 - 1.5		58	48	32	6.0	3.5, 6.0	1.8	0.8 - 2.5
	47	41	-	6.0	3.0 - 6.0	0.5	0.5 - 3.0		59	49	-	6.0	3.5 - 6.0	1.3	0.8 - 4.0
	48	-	-	6.0	3.0 - 6.0	0.5	0.5 - 3.0		60	-	-	6.0	3.5 - 6.0	1.3	0.8 - 4.0
	49	42	27	6.5	3.5 - 6.5	0.5	0.5 - 2.5		61	50	-	6.0	3.5 - 6.0	1.8	1.0 - 4.0
	50	43	28	6.0	3.5 - 6.0	0.5	0.5 - 1.5		62	51	33	6.0	3.0 - 6.0	2.5	1.0 - 2.5
	51	44	29	6.0	3.0 - 6.0	0.5	0.5 - 1.5		63	-	-	6.0	3.0 - 6.0	2.5	1.0 - 2.5
	52	45	-	6.0	3, 4.5, 6	0.5	0.5 - 1.3		64	-	-	4.5	3, 4.5, 5, 6	2.5	1.5 - 2.5

STITCH	PATTERN No.			WIDTH(mm)		LENGTH(mm)		STITCH	PATTERN No.			WIDTH(mm)		LENGTH(mm)	
	80 stitch model	60 stitch model	40 stitch model	AUTO	MANUAL	AUTO	MANUAL		80 stitch model	60 stitch model	40 stitch model	AUTO	MANUAL	AUTO	MANUAL
	65	52	34	4.5	3, 4.5, 6	2.5	1.5 - 2.5		73	55	35	3.0	2.0 - 4.5	-	-
	66	53	-	5.0	3.5 - 6.0	2.5	1.5 - 2.5		74	56	36	5.5	5.5	0.5	0.5, 0.8
	67	-	-	5.0	3.5 - 6.0	2.5	1.5 - 2.5		75	57	37	3.5	3.5	0.5	0.5, 0.8
	68	-	-	5.0	3.0 - 6.5	2.5	1.5 - 2.5		76	58	38	5.5	5.5	0.5	0.5, 0.8
	69	54	-	5.0	3.0 - 6.0	2.0	1.0 - 2.5		77	59	39	3.5	3.5	0.5	0.5, 0.8
	70	-	-	5.0	3.5 - 6.5	2.5	1.5 - 2.5		78	-	-	5.5	5.5	0.5	0.5, 0.8
	71	-	-	5.0	3.0 - 6.0	2.5	1.5 - 2.5		79	-	-	3.5	3.5	0.5	0.5, 0.8
	72	-	-	5.0	2.0 - 6.0	1.5	0.5 - 2.0								

\* Whenever using twin needle, set stitch width at 3.5 or less.

## STRAIGHT STITCHING

 80 stitch model : 00  
 60 stitch model : 00  
 40 stitch model : 00

Straight stitch is most frequently used for all types of sewing. Let's begin by following the steps below.

### 1. SETTINGS

Presser foot - General Purpose Foot  
 Thread tension control - AUTO

**NOTE: Based upon the weight of the fabric, slight "fine tuning" of the tension may be desired.**

- A. Thread tension control
- B. Programmable needle up/down button
- C. Reverse stitch button
- D. Start/stop button
- E. Presser foot lifter
- F. Sewing speed control

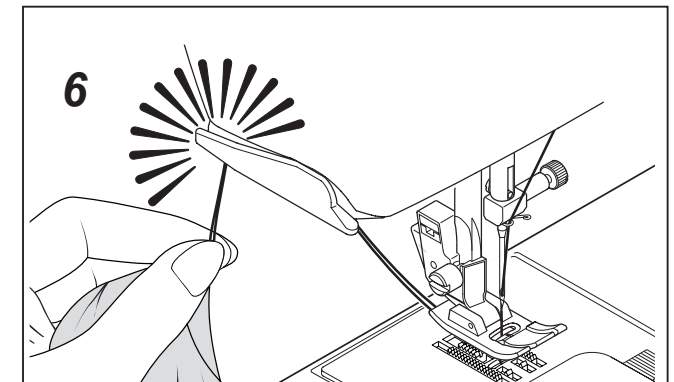
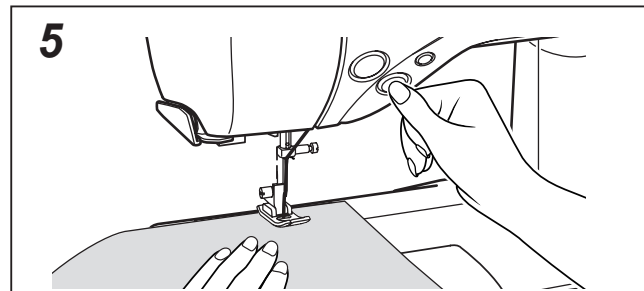
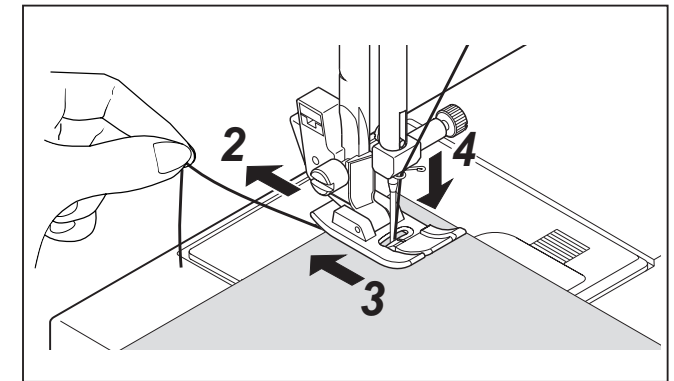
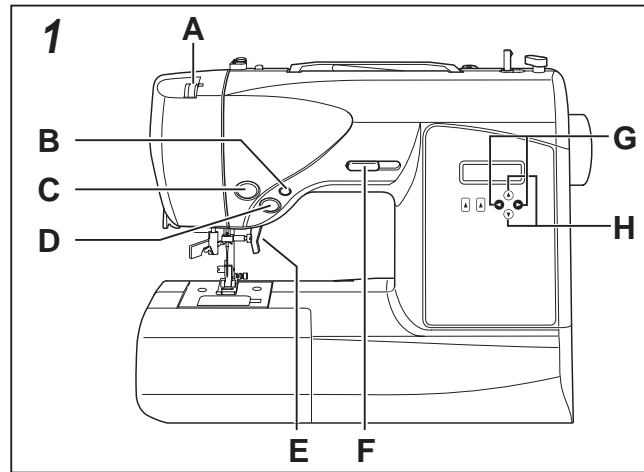
**NOTE: Since a straight stitch has no width, the stitch width control is used to change the needle position.**

2. Pull both threads under the presser foot toward the back of the machine, leaving about 6" (15cm) clear.
3. Place the fabric under the presser foot and lower the presser foot lifter.
4. Turn the hand wheel counter clockwise until the needle enters the fabric.
5. Start the machine. Guide the fabric gently with your hands. When reaching the edge of the fabric, stop the sewing machine.

**NOTE: The Needle Plate has both Metric and Inch Markings as an aid for guiding your fabric when sewing a seam.**

6. First turn the handwheel counter clockwise until the needle is at its highest position, then raise the presser foot, draw the fabric to the rear and cut off excess threads with the thread cutter located on the top of face cover as shown.

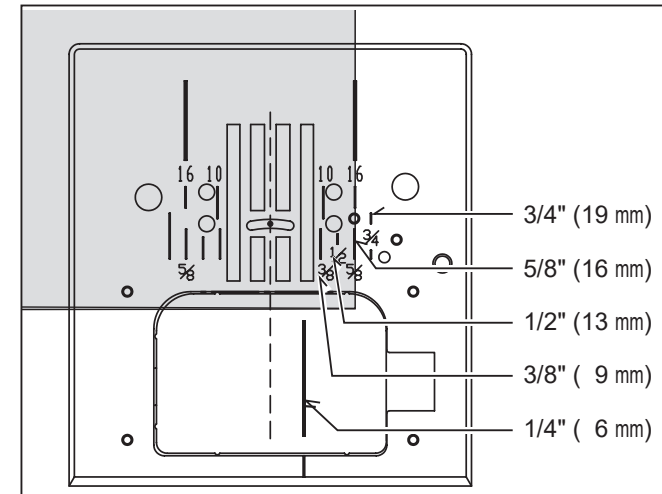
**NOTE: To secure the stitching and avoid raveling, press the reverse stitch button and sew a few stitches at the start and end of the seam**



## KEEPING SEAMS STRAIGHT

To keep the seam straight, use one of the numbered guide lines on the needle plate. The numbers indicate distance from the needle at its center position.

The guide line on the bobbin cover plate is 1/4" (6mm) seam guide line which is used for piecing quilt blocks and also for narrow seams, such as those in doll clothes or baby garments.



## INSERTING ZIPPERS AND PIPING

Use zipper foot to sew to the right or left of the zipper or to sew close to the cording.

### ZIPPERS

To sew down the right side, attach left side of zipper foot to presser foot holder so that the needle passes through the opening on the left side of the foot.

To sew down the left side, attach right side of foot to foot holder.

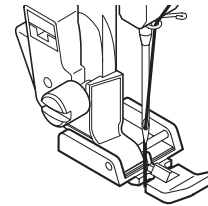
### PIPING

Create a piping by covering a filler cord with a bias strip of fabric.

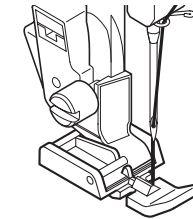
Attach the right side of the zipper foot to the foot holder so that the needle passes through the right side of the zipper foot.

Baste the seam allowances together, enclosing the filler cord, forming a seam tape for the piping. Then, pin or tack to the main fabric piece for sewing.

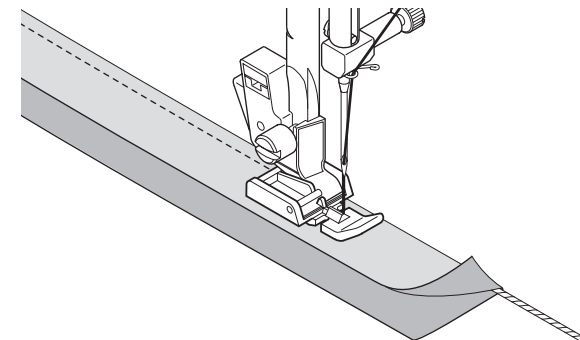
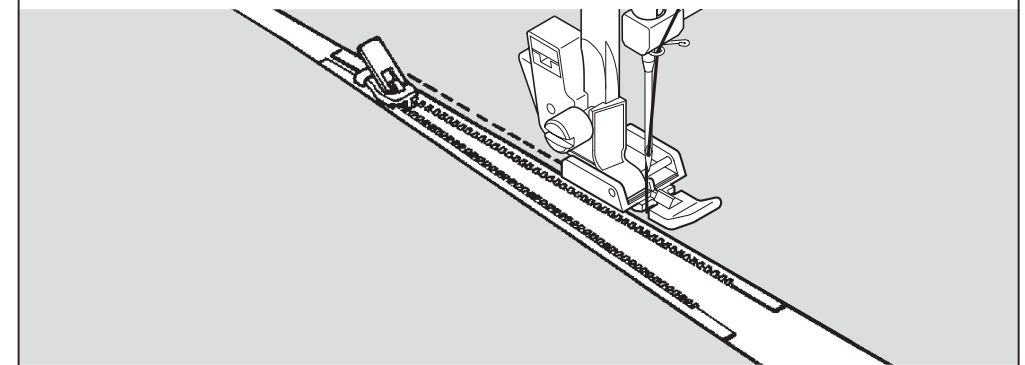
**Helpful Hint: Slight adjusting of the needle position to sew closer to the piping may be accomplished with the Stitch Width Control.**



Needle to left of foot



Needle to right of foot



## HANDLING HARD-TO-SEW FABRICS

\*See chart on page 30 - 33 about detail of needle, thread and fabric.

### SEWING ON DOUBLE FABRICS

When fabric feeding is not smooth or double thick fabrics are sewn, use fixing pin to hold presser foot horizontally:

1. Lower needle and raise presser foot lever.
2. Raise fixing pin and push it to left so that it may be inserted into U-groove. Lower presser foot lever.
3. Fabric is fed with presser foot held horizontally. Sew forward further and fixing pin will be released to its original position.

### SEWING ON THIN CLOTH (LACE, THIN FABRIC)

Use fine needle (#9 or #11) and thread which is suitable for the size of needle.

\*It is recommended to place thin paper under cloth to save skipped stitch or wrinkles.

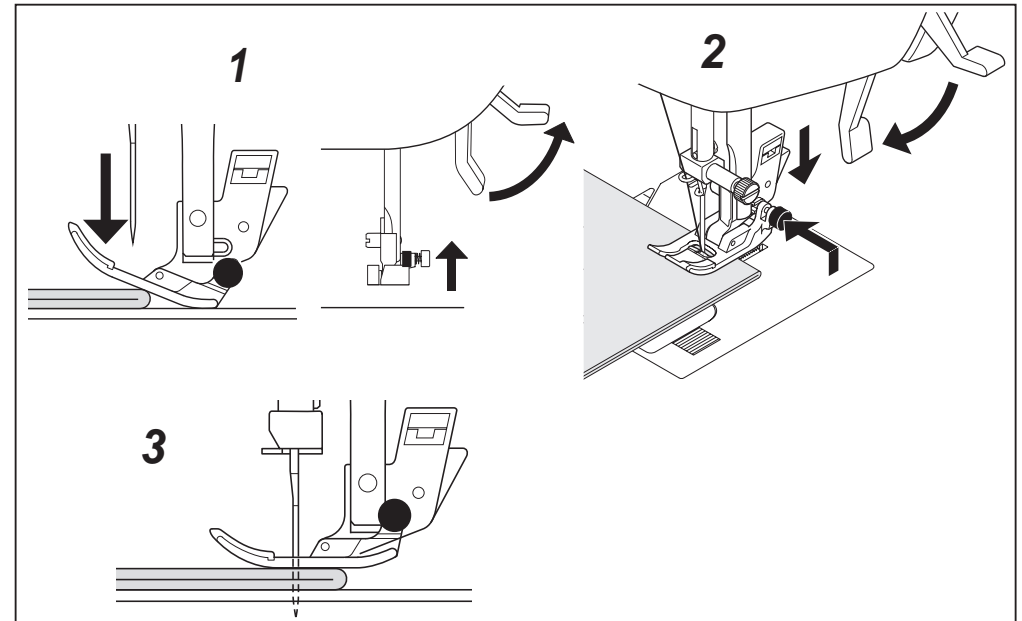
\*Start to sew with thin cloth pulling the end of upper and lower threads.

\*Set stitch length at its fine range.

### SEWING ON THICK CLOTH (TOWELLING)

Use thick needle (#16) with longer stitch length and slow speed.

\*It is recommended to place thin paper under cloth depending upon the nature of cloth.



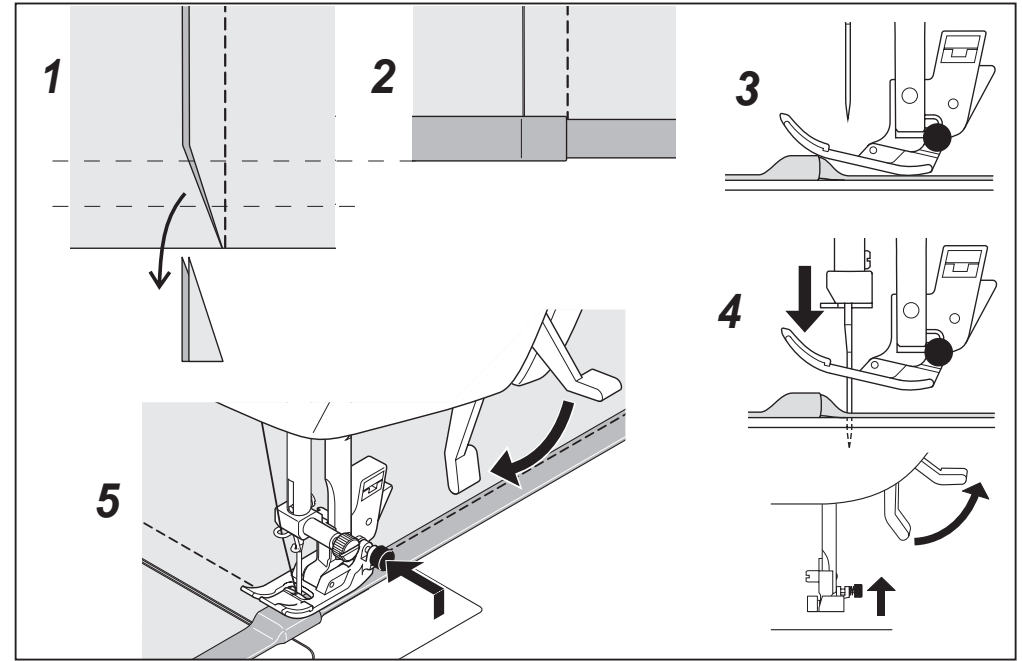


## HEMMING BOTTOM OF JEANS

Use needle #16 and thread #30.

1. Cut inside portion diagonally as illustrated.
2. Turn up two times along dotted lines.
3. Start to sew slowly and stop when tip of presser foot is raised at thicker portion.
4. Lower needle and raise presser foot lever.
5. Raise fixing pin and push it to left so that it may be inserted into U-groove. Lower presser foot lever.
6. Re-start to sew.

**NOTE:** When sewing folded up portion with thick cloth such as denim, start to sew from the thickest portion. Lower needle by turning hand wheel and guide cloth by hand to prevent thread tangling.



## ZIGZAG STITCHING


80 stitch model : 03  
 60 stitch model : 03  
 40 stitch model : 03

SETTINGS : Presser foot - General Purpose Foot  
 : Thread tension control - AUTO


The top thread may appear on the bottom depending on the thread, fabric, type of stitch and sewing speed, but the bobbin thread must never appear on the top of the fabric.

If bobbin thread is pulling to the top or you are experiencing puckering, slightly reduce the tension with the Thread Tension Control.

## ADJUSTING STITCH WIDTH AND LENGTH

 Dark grey box indicates the Auto/default value set automatically when the pattern is selected.

For the Zigzag Pattern the stitch length is 2 mm and the stitch width is 5 mm.

 The light grey boxes indicate all the possible personal preference options available to set manually.

**NOTE: The values shown in the chart are actual sewing lengths and widths and do not correspond to the scale and number markings on the sewing machine.**

## SATIN STITCH

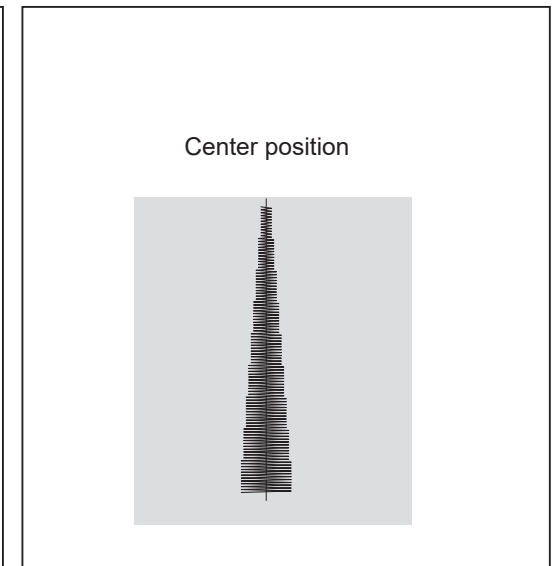
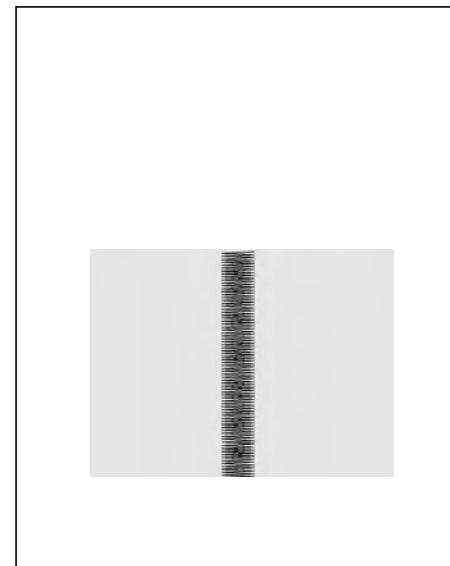
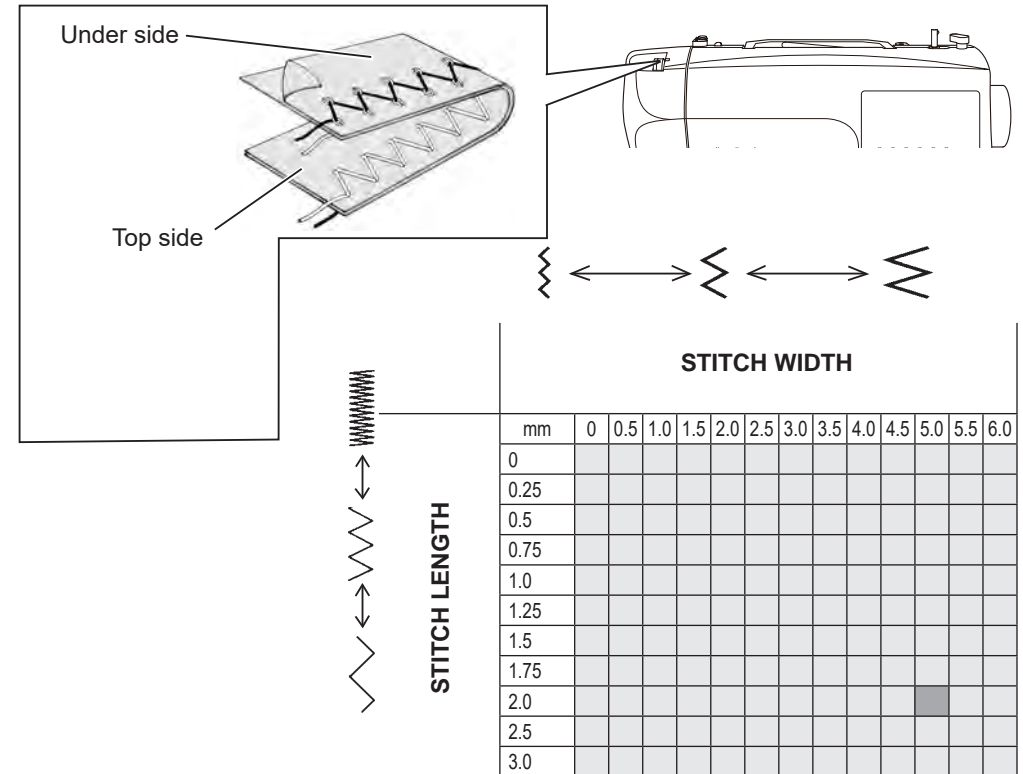
This is a closely spaced zig zag stitch used for appliqué, bar-tacking, etc. Slightly loosen the top thread tension and manually adjust the stitch length between 0.5 and 2.0 for satin stitching.

Use a backing of stabilizer for lightweight fabrics to avoid puckering.

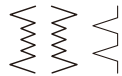
**NOTE: When sewing a dense stitch, the Satin Stitch Foot (Optional) MUST be used.**

## PLACEMENT OF PATTERNS

Stitch width of pattern increases from center needle position as illustrated.



## BLINDHEM STITCH



80 stitch model : 04, 05, 07

60 stitch model : 04, 05, 07

40 stitch model : 04, -, 06

The blindhem stitch is primarily used for hemming curtains, trousers, skirts, etc.

SETTINGS : Presser foot - Blind Foot  
: Thread tension control - AUTO



- Elastic blind stitch for soft, stretchable fabrics



- Regular blind stitch for normal woven fabrics

1. First finish the raw edge. Do this by turning it under on fine fabrics or overcasting it on medium to heavyweight fabrics. Then turn the hem up the required depth, press and pin in place.
2. Now fold the fabric as illustrated with the wrong side up.
3. Place the fabric under the foot. Turn the handwheel counter clockwise by hand until the needle swings fully to the left. It should just pierce the fold of the fabric. If it does not, adjust the guide (B) on the Blindhem Foot (A) so that the needle just pierces the fabric fold and the guide just rests against the fold.

**NOTE: For a narrower or wider blindhem, first manually adjust the length and width controls to your desired length and width. Then adjust the guide on the foot.**

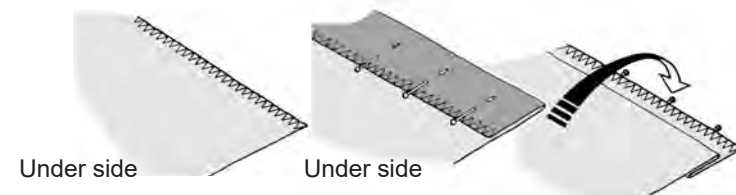
Sew slowly, guiding the fabric carefully along the edge of the guide.

4. When completed, the stitching is almost invisible on the right side of the fabric.

**NOTE: It takes practice to sew blind hems. Always make a sewing test first.**

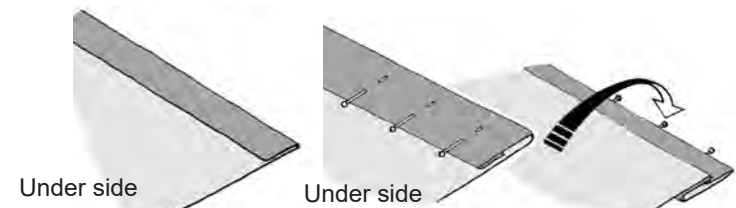
① Medium to heavyweight fabric

②

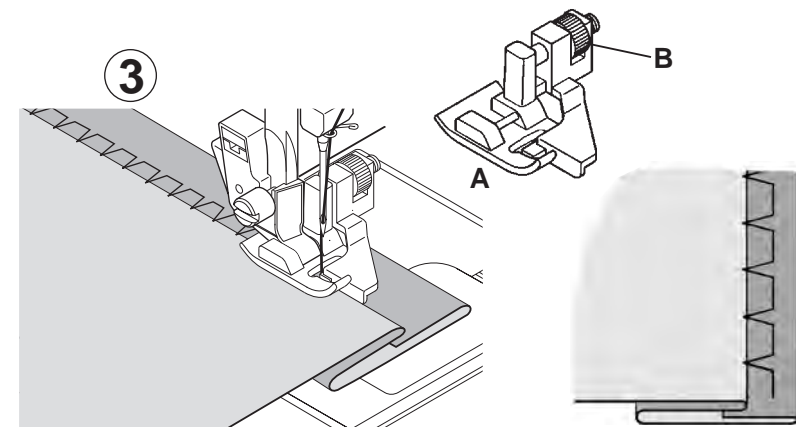


① Fine fabric

②



③



④



## MULTI-STITCH ZIGZAG

80 stitch model: 06  
60 stitch model: 06  
40 stitch model: 05

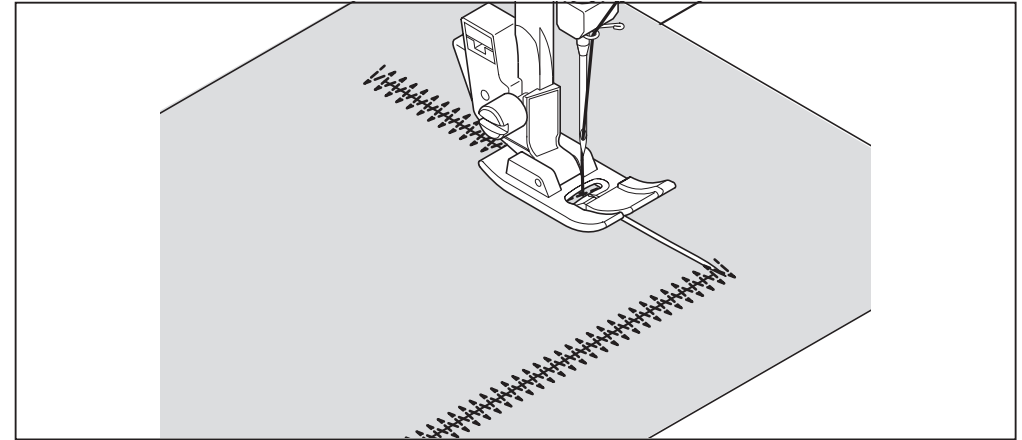
SETTINGS :Presser foot - General Purpose Foot  
:Thread tension control - AUTO

This is a strong stitch because as its name implies, it makes three short stitches where the normal zig-zag makes only one.

For this reason it is recommended for overcasting nearly all types of fabrics.

It is also ideal for bartacks, mending tears, patching, sewing towelling and attaching flat elastic.

**NOTE: Mending a tear or overedging as shown in illustration requires manual adjustment of the length control.**



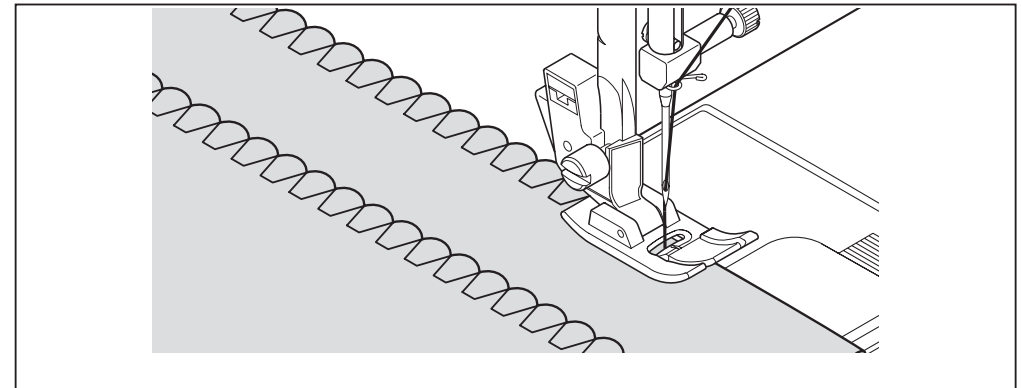
## SHELL STITCH

80 stitch model: 08  
60 stitch model: 08  
40 stitch model: -

SETTINGS :Presser foot - General Purpose Foot  
:Thread tension control - AUTO

Turn under the raw edge and press. Place the fabric right side up so that the zigzag part of the stitch sews just over the folded edge, pulling the fabric in to form a shell hem. Trim away excess fabric close to the stitching line.

**Helpful Hint: For a variety in appearance experiment with different width, length and tension settings.**



## SEWING ON A BUTTON

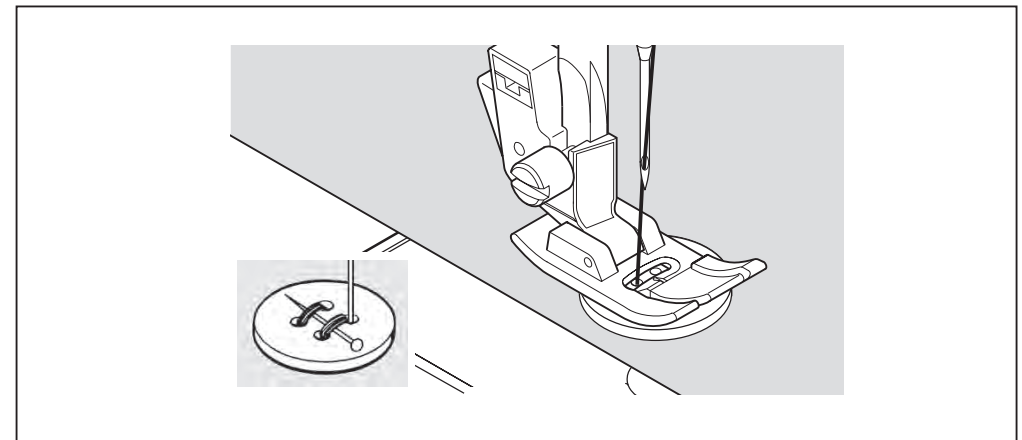
80 stitch model: 73  
60 stitch model: 55  
40 stitch model: 35

SETTINGS :Presser foot - General Purpose Foot  
:Darning plate

Position your fabric and button under the presser foot. Lower presser foot. Turn the handwheel to make sure needle clears both left and right openings of button. Adjust width if required. Sew 10 stitches across.

If a shank is required, place a pin on top of the button and sew over top of it.

**Helpful Hint: To secure thread, pull both threads to the backside of the fabric and tie together.**



## STRETCH AND DECORATIVE STITCHES

SETTINGS :Presser foot - General Purpose Foot or Satin Stitch Foot (Optional)  
:Thread tension control - AUTO

Stretch stitches are mainly for use on knit, or stretchable fabrics, but can also be used on woven materials.

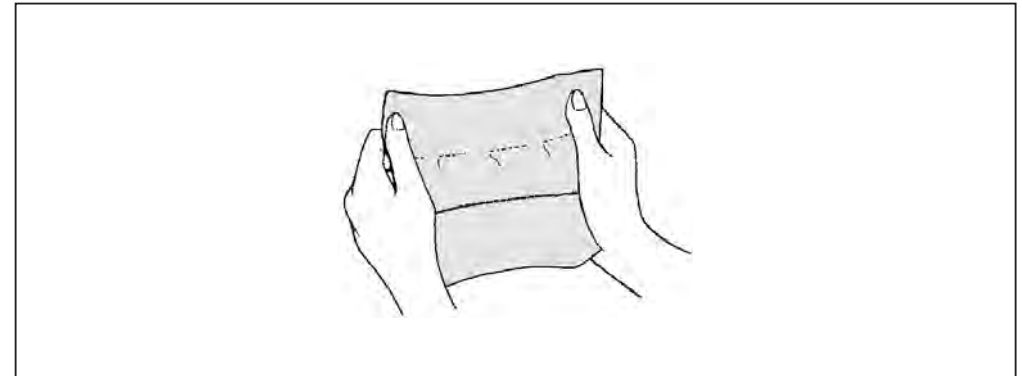
### STRAIGHT STRETCH STITCH

||| 80 stitch model : 01  
||| 60 stitch model : 01  
||| 40 stitch model : 01

Straight stretch stitch is far stronger than an ordinary straight stitch because it locks three times - forwards, backwards and forwards.

It is particularly suitable for reinforcing the seams of sportswear in stretch and non-stretch fabrics, and for curved seams which take a lot of strain.

Use this stitch also to top-stitch lapels, collars and cuffs to give a professional finish to your garments.

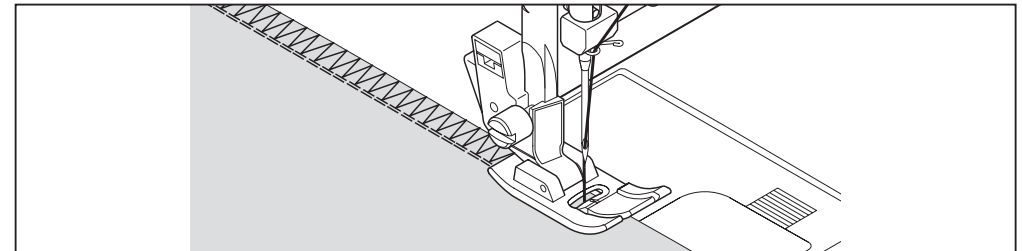


### OVEREDGE STITCH


◁▷ 80 stitch model : 10, 11  
◁▷ 60 stitch model : 10, 11  
◁▷ 40 stitch model : 08, -

This is a similar stitch used by the garment industry in making sportswear – it sews and finishes the seam in one operation.

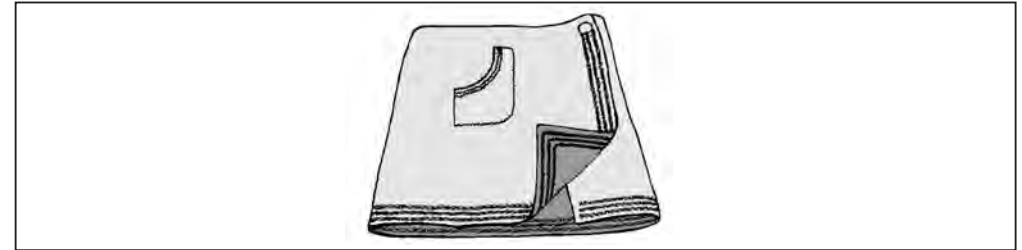
It's very effective for use in repairing raw or worn edges of garments.




## RIC-RAC STITCH

 80 stitch model : 13  
 60 stitch model : 13  
 40 stitch model : 10

Ric-rac stitch is primarily used for a decorative top-stitch. It is ideal for edging neck-bands, armholes, sleeves and hems. When manually adjusted to a very narrow width, it also can be used for seaming in areas that will receive stress.

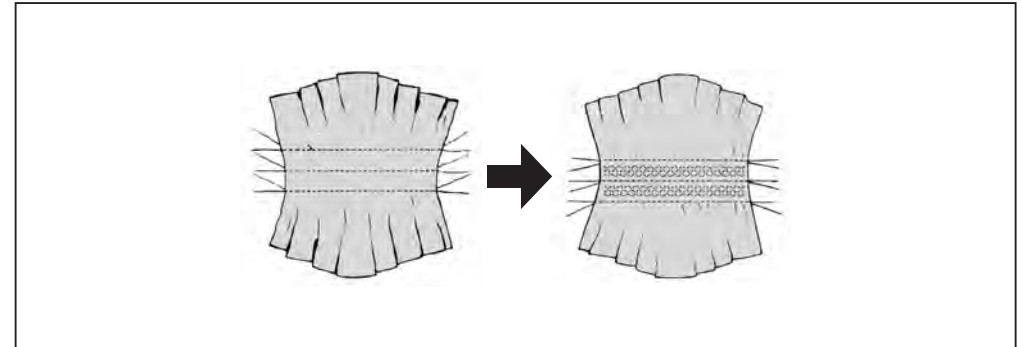


## HONEYCOMB STITCH


 80 stitch model : 09  
 60 stitch model : 09  
 40 stitch model : 07

The Honeycomb stitch is ideal for smocking and useful for overcasting and attaching elastic and stretch lace.

1. Make several rows of gathers across the fabric that you wish to smock.
2. With a narrow strip of fabric directly under the line of gathering, stitch over the gathers. The design will be a series of small diamonds.

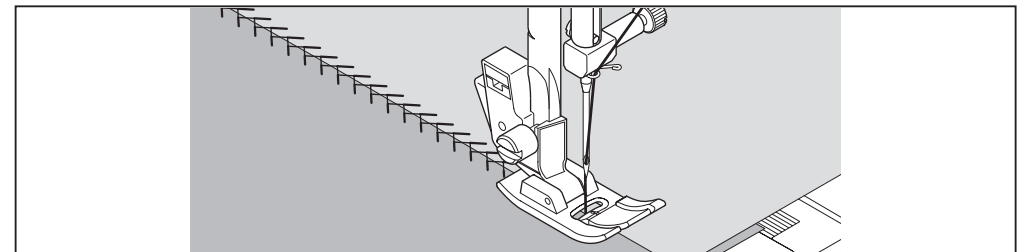


## FEATHER STITCH

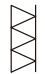
 80 stitch model : 12  
 60 stitch model : 12  
 40 stitch model : 09

The pleasing appearance of this stitch enables it to be used for top-stitching, or attaching lace or inset panels.

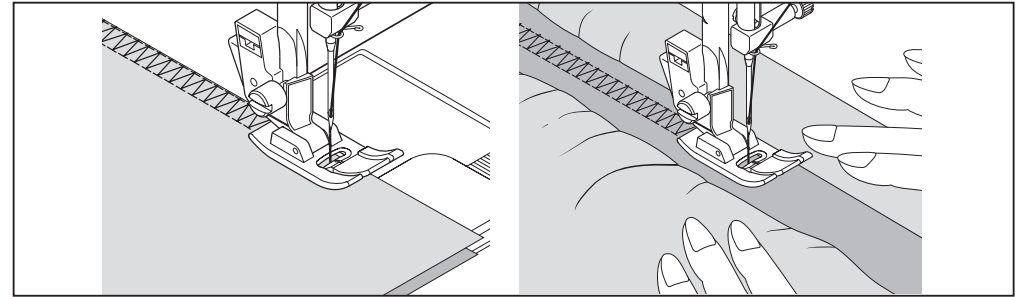
It is also ideal for quilting applications and joining fabrics.




## DOUBLE OVERLOCK STITCH

	80 stitch model :	14
	60 stitch model :	14
	40 stitch model :	11

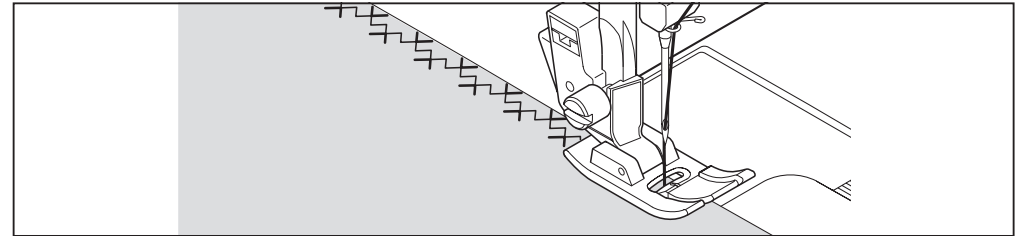
The Double overlock stitch has three main uses. It is perfect for attaching flat elastic when making or repairing garments, for overcasting and for seaming and overcasting in one operation. It is primarily used on fabrics with slight stretch and non-stretch fabrics such as linen, tweed, and medium to heavy-weight cotton.




## CRISS-CROSS STITCH

	80 stitch model :	15, 72
	60 stitch model :	15, -
	40 stitch model :	12, -

Used to sew and finish stretch fabrics or for decorative stitching, such as when creating a border.



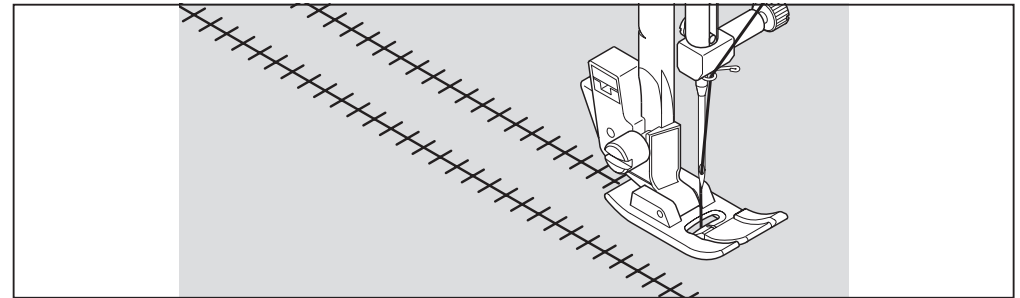
## ENTREDEUX STITCH

	80 stitch model :	16
	60 stitch model :	16
	40 stitch model :	13


Useful for decorative stitching on borders and for use in heirloom sewing. The Entredeux stitch is most often sewn with a Wing Needle to create holes in the stitch pattern.

**Helpful Hint: A slight + adjustment of the tension will increase the size of the hole when using a Wing Needle.**

**Lightweight woven fabrics will provide best results.**



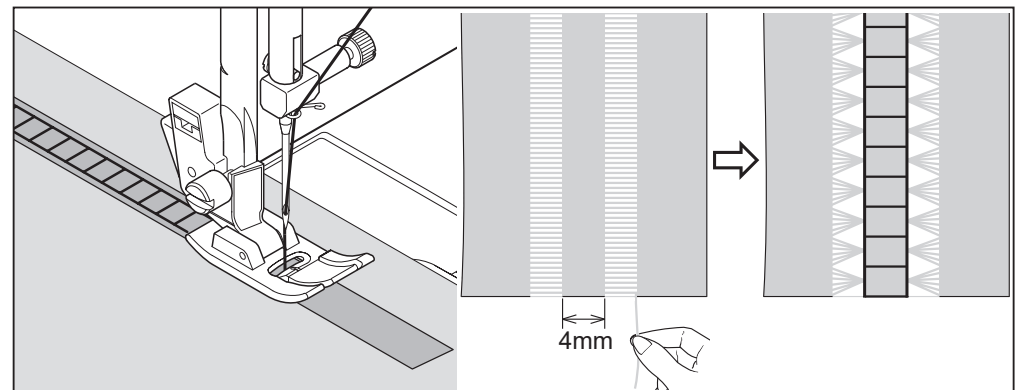
## LADDER STITCH

	80 stitch model :	17
	60 stitch model :	17
	40 stitch model :	14

The Ladder stitch is primarily used for drawn thread hemstitching. It can also be used for sewing over thin tape in a same or contrasting color. Place the stitch in the center and a special effect will be obtained for decoration.

Another use for the ladder stitch is couching over narrow ribbon, yarn or elastic.

For drawn thread work, choose a coarse linen type fabric. After sewing, draw the thread out within the ladder for an open airy appearance.

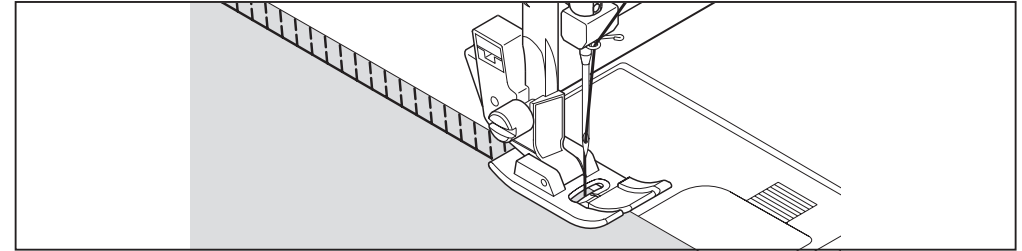


## SLANT OVEREDGE STITCH



80 stitch model : 24, 25  
60 stitch model : 24, 25  
40 stitch model : 17, -

Seams and overcasts in one operation to produce a narrow, supple seam, particularly suited to swimwear, sportswear, T-shirts, babywear in stretch nylon, stretch towelling, jersey and cotton jersey.

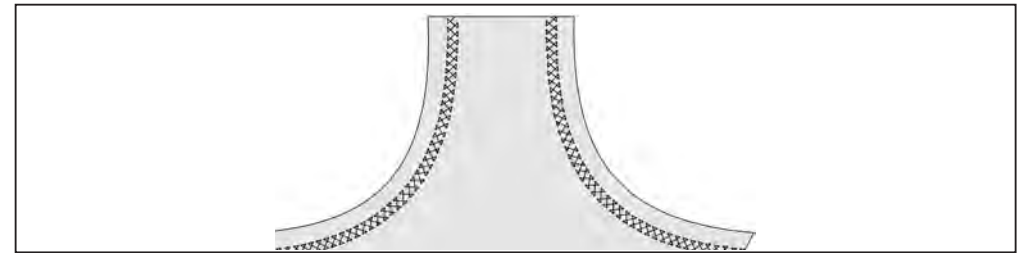


## CROSSED STITCH



80 stitch model : 27  
60 stitch model : 27  
40 stitch model : 18

Use to sew and finish elastic fabrics or for decorative stitching.

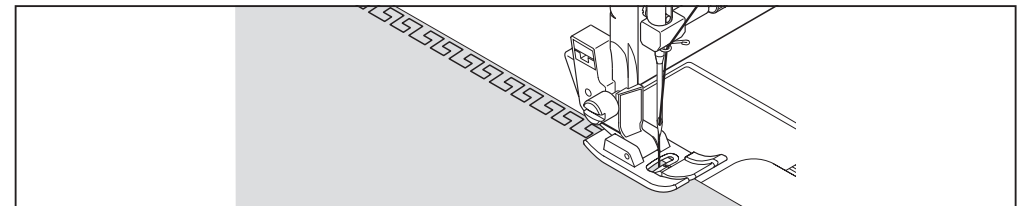


## GREEK KEY STITCH




80 stitch model : 28  
60 stitch model : 28  
40 stitch model : 19

A traditional pattern suited for decorative borders, hems and edge finishings.

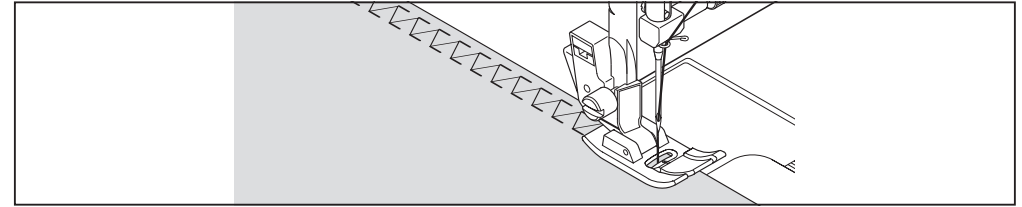





## FISHBONE STITCH

 80 stitch model : 32  
60 stitch model : -  
40 stitch model : -

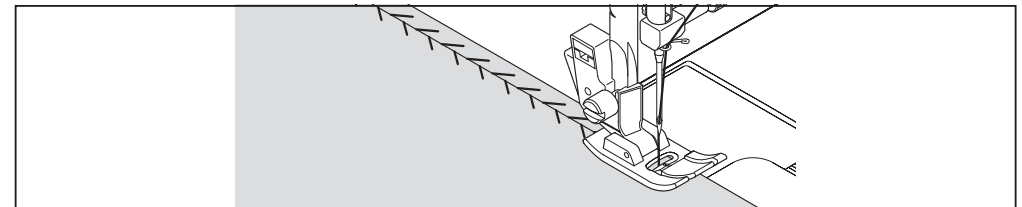
Use to create decorative borders or embellishment.




## THORN STITCH

 80 stitch model : 33  
60 stitch model : -  
40 stitch model : -

It is a versatile stitch used for joining fabric pieces and as a decorative touch.



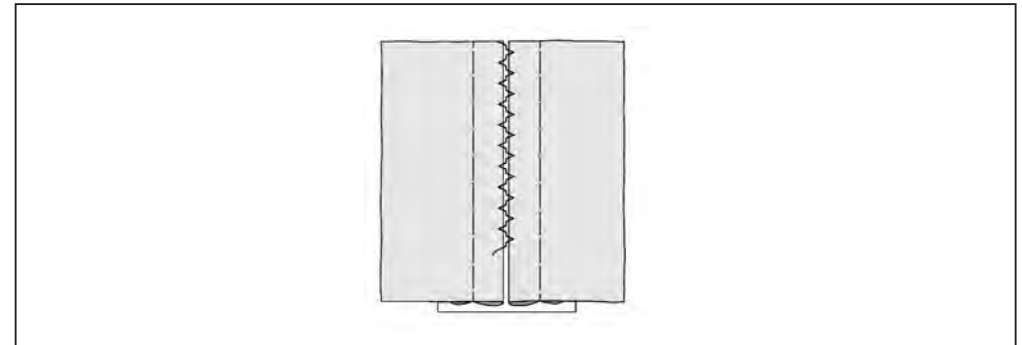
## EDGE-JOINING STITCH

 80 stitch model : 69  
60 stitch model : 54  
40 stitch model : -

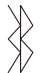
SETTINGS : Presser foot - General Purpose Foot  
: Thread tension control - AUTO

This is a popular decorative stitch (used in sleeves or fronts of blouses and dresses). To attach two separate pieces of fabric together, leave a little space in between.

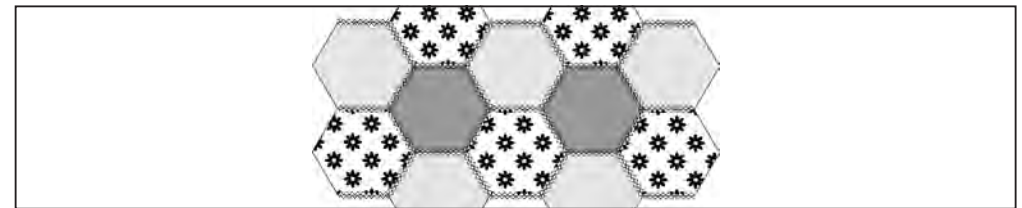
To prepare the fabric: Fold under the seam allowances on the cut edges, and press. Baste folded edges to tissue paper with about 1/8" (0.3 cm) space between. Stitch over the 1/8" (0.3 cm) allowance, just catching the fabric fold on both sides with needle. Remove bastings and paper; press.



## WIZARD STITCH

 80 stitch model : 71  
60 stitch model : -  
40 stitch model : -

Wizard stitch, as well as being a decorative stitch, is ideal for patching stretch fabrics such as jersey and knitwear.



## MORE DECORATIVE STITCHES & IDEAS FOR DECORATIVE MACHINE STITCHING

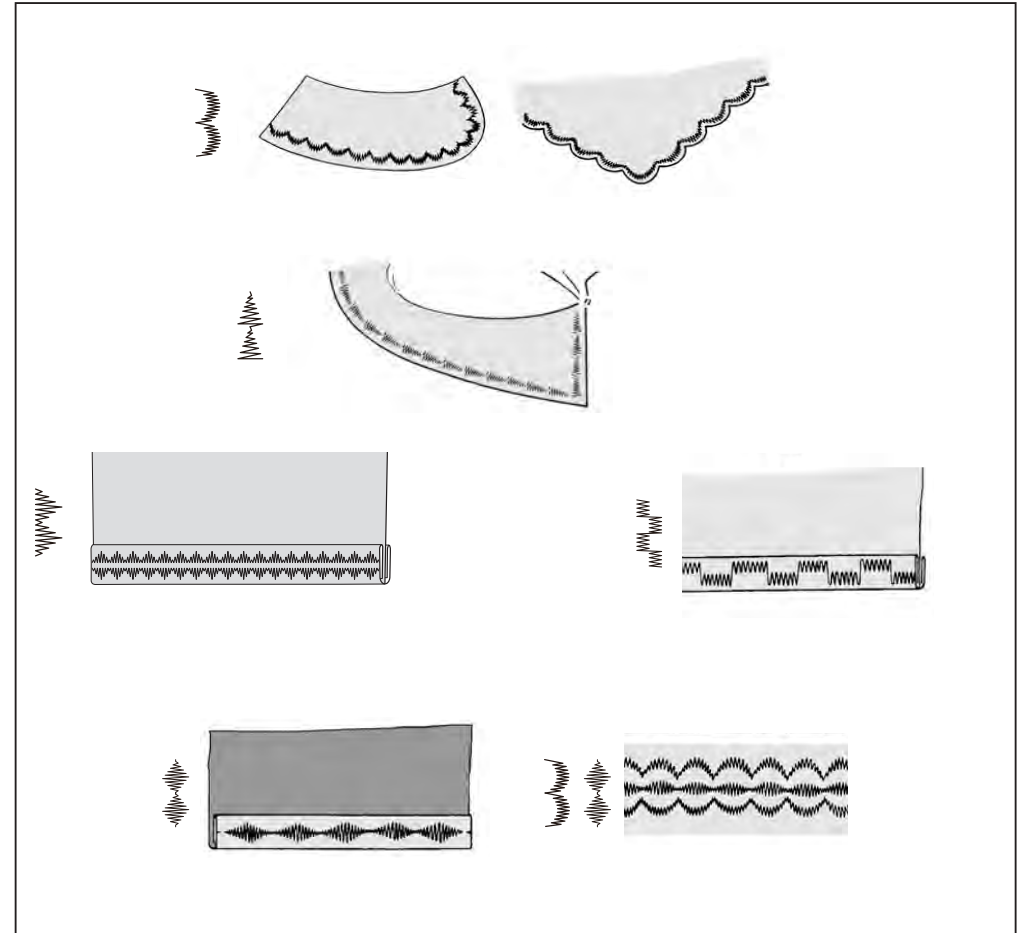
SETTINGS :Presser foot - Satin stitch foot  
:Thread tension control - AUTO or -1

You should carry out a test sewing on an extra piece of the fabric being sewn to check the decorative pattern to be used.

Before starting to sew, check that there is enough thread wound onto the bobbin to ensure that the thread will not run out during sewing.

For best results, stabilize fabric with a tear-away or wash-away stabilizer underneath when stitching.

**Helpful Hint: Bobbin thread should not appear on the top side of the fabric, so it may be necessary to slightly lower the tension setting.**



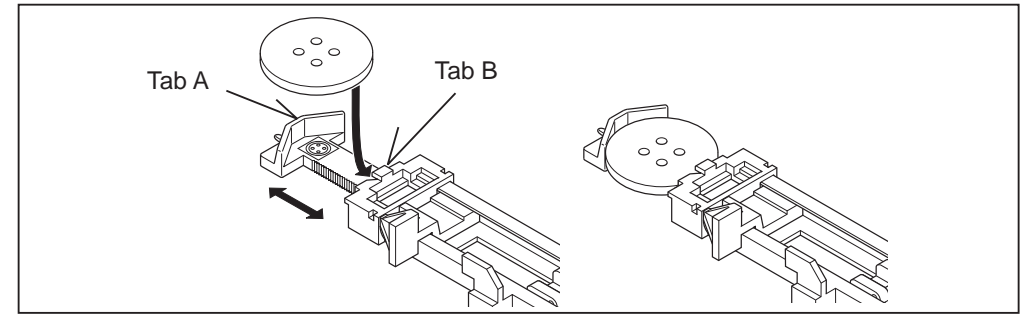
## SEWING A BUTTONHOLE USING BUTTONHOLE FOOT




Your machine offers you two different widths of bartack, keyhole and round end buttonholes sewn by a system that measures the size of the button and calculates the size of buttonhole required.

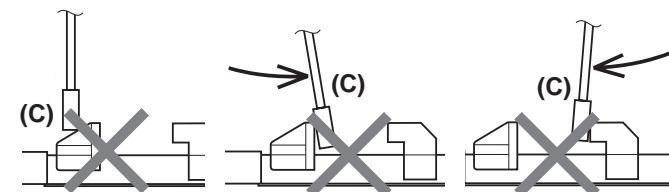
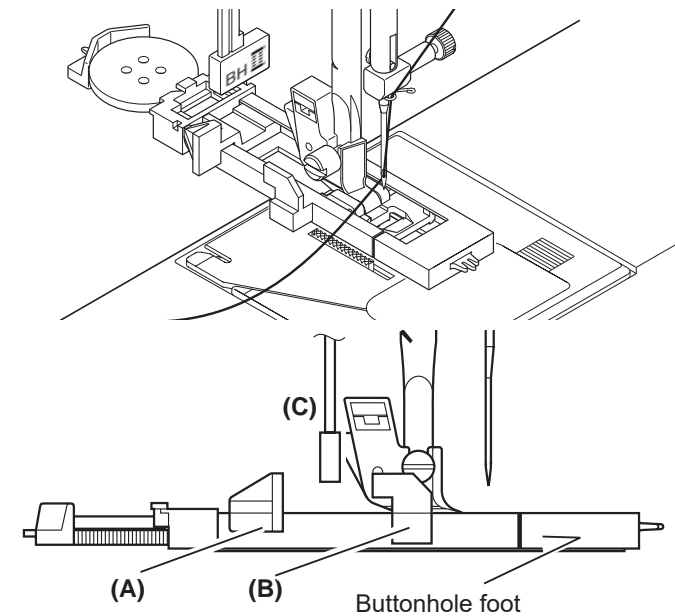
### PROCEDURE

- \* Use an interfacing in the area of the garment where buttonholes are placed. Stabilizer or regular interfacing can be used.
- \* Make a practice buttonhole on a scrap of the fabric you are using. Then try the buttonhole with the selected button.

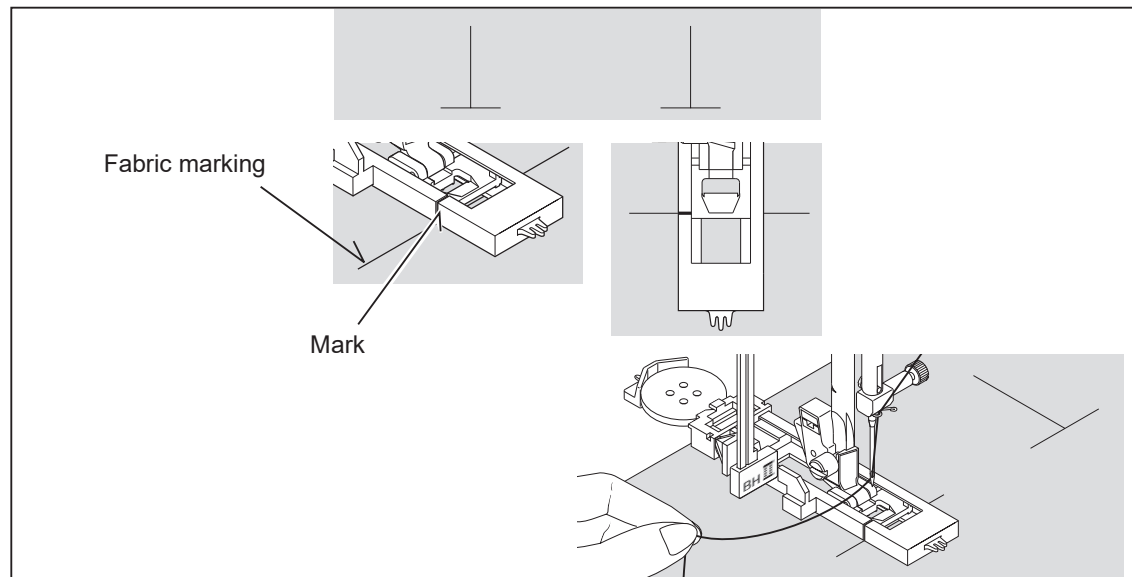
1. Select one of buttonhole patterns.
2. Replace the presser foot with the buttonhole foot. (Refer to “Changing presser foot” on page 36 - 37.)
3. Insert the button into the buttonhole foot. (Refer to “Using buttonhole foot” above.)
4. Lower the buttonhole lever (C) so that it drops down vertically between the stoppers (A) and (B).



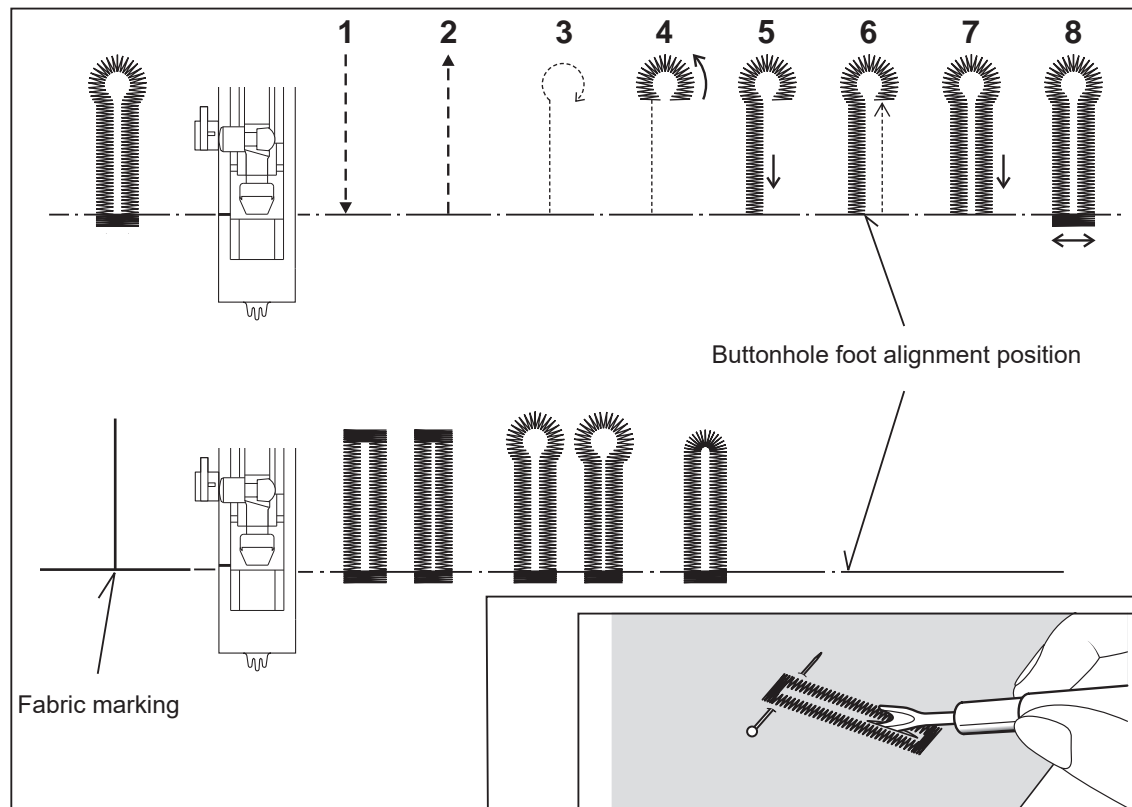
	80 stitch model : 78, 79 60 stitch model : -, - 40 stitch model : -, -		80 stitch model : 74, 75 60 stitch model : 56, 57 40 stitch model : 36, 37		80 stitch model : 76, 77 60 stitch model : 58, 59 40 stitch model : 38, 39
---	--	---	--	---	--



5. Carefully mark the position of buttonhole on your garment.
6. Place the fabric under the foot. Pull out the bobbin thread underneath the fabric to a length of about 4 inches to the rear.
7. Align the buttonhole mark on the fabric with the mark on the buttonhole foot, and then lower the buttonhole foot.
8. While holding the top thread, start the machine.



\* Sewing will be completed automatically in the following order.



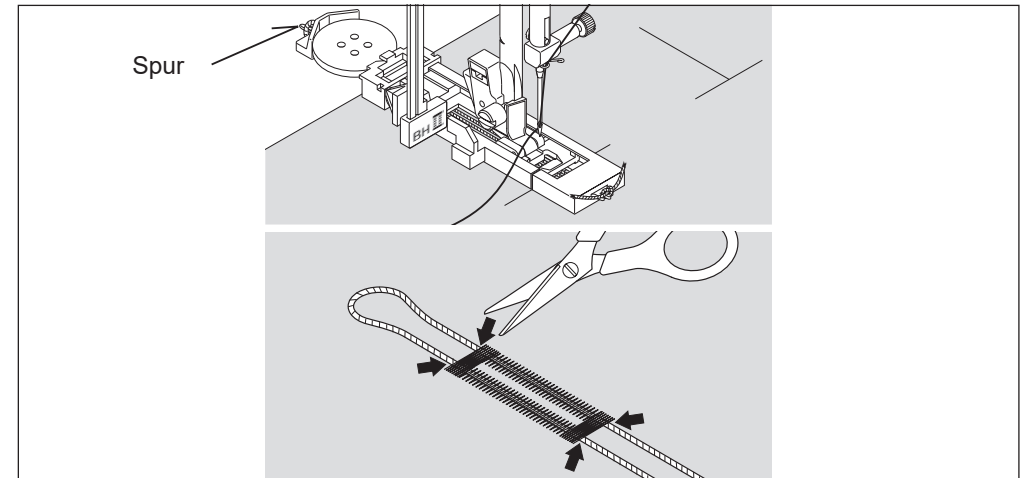
9. When sewing is finished, use a buttonhole opener to open up the fabric in the center of the buttonhole. Be careful not to cut the ends of the buttonhole.

## CORDED BUTTONHOLES

Hook filler cord (crochet thread or buttonhole twist) over the spur and pull both ends of the cord forward under the foot and tie off the cord as shown in the illustration.

Sew buttonhole so that zigzag stitches cover the cord.

When completed, release the cord from foot and snip off extra length.



### 3. CARING FOR YOUR MACHINE

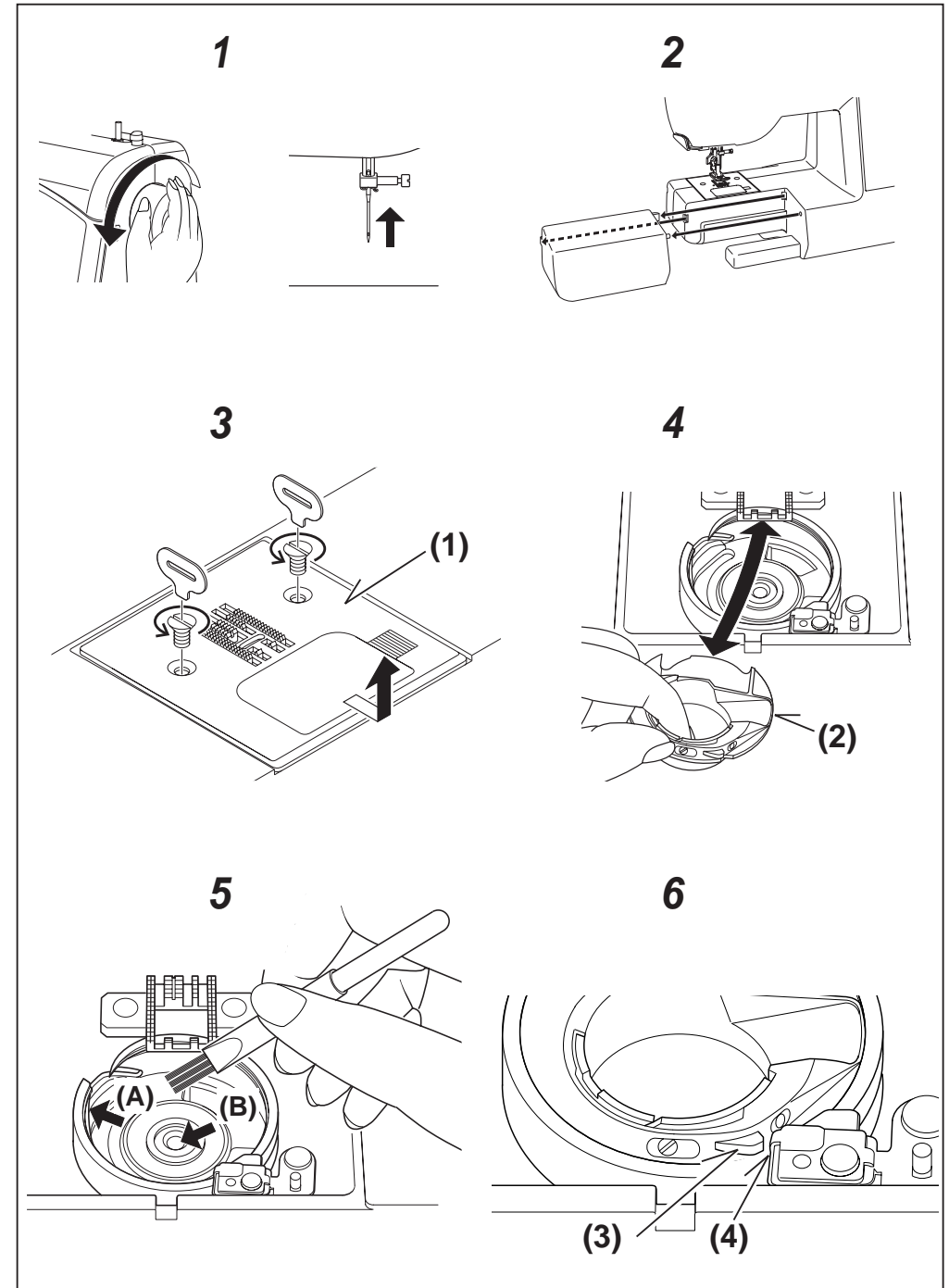
#### CLEANING HOOK AREA AND FEED DOGS



Always disconnect the machine from power supply by removing the plug from the wall-outlet.

To ensure the best possible operation of your machine, it is necessary to keep the essential parts clean at all times.

1. Raise the needle to its highest position.
2. Remove the extension table by pulling it off to the left.
3. Remove the needle plate (1).
4. Remove the bobbin case (2).
5. Clean the feed dogs and hook area with the lint brush.  
Put one drop of sewing machine oil on the hook race as indicated by the arrows. (A, B)
6. Replace the bobbin case with the projection (3) positioned against the spring (4). Replace the needle plate.

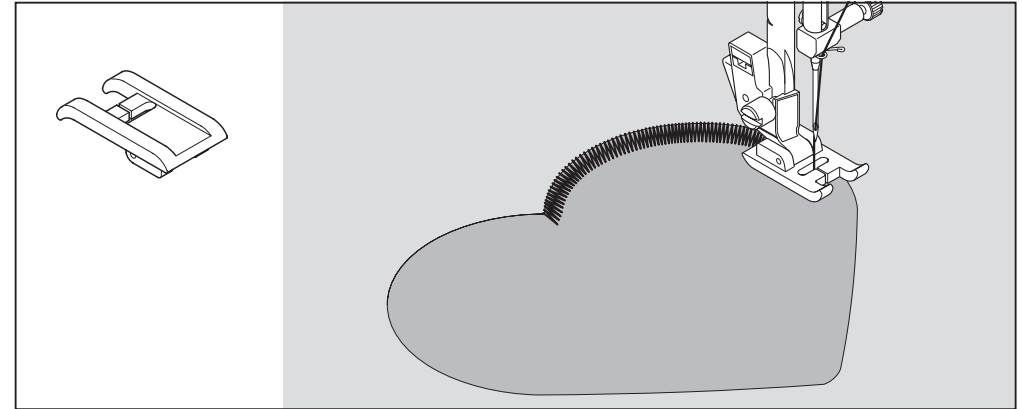


## 4. OTHER INFORMATION

### SATIN STITCH FOOT

The Satin stitch foot is grooved on the bottom to permit dense stitching to pass under it easily. It is most useful for sewing satin stitches and as an alternative to the General Purpose Foot when sewing stretch stitches.

Closely spaced zig-zag stitches are called satin stitches. This is an attractive stitch used primarily for appliqueing and bar tacking. Slightly loosen top thread tension for satin stitching. Use a backing of stabilizer or interfacing to avoid puckering.



### TWIN NEEDLE (Optional)

**IMPORTANT:**

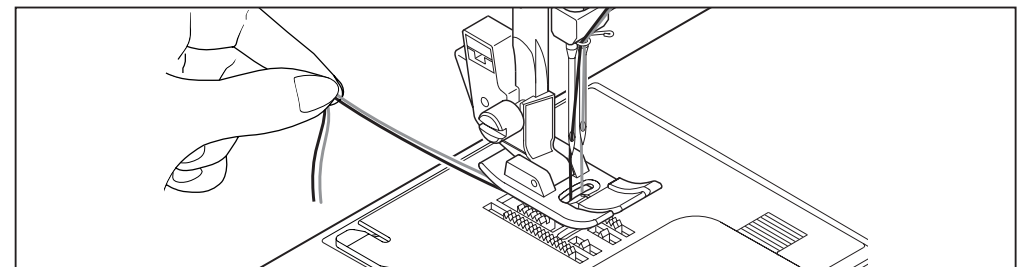
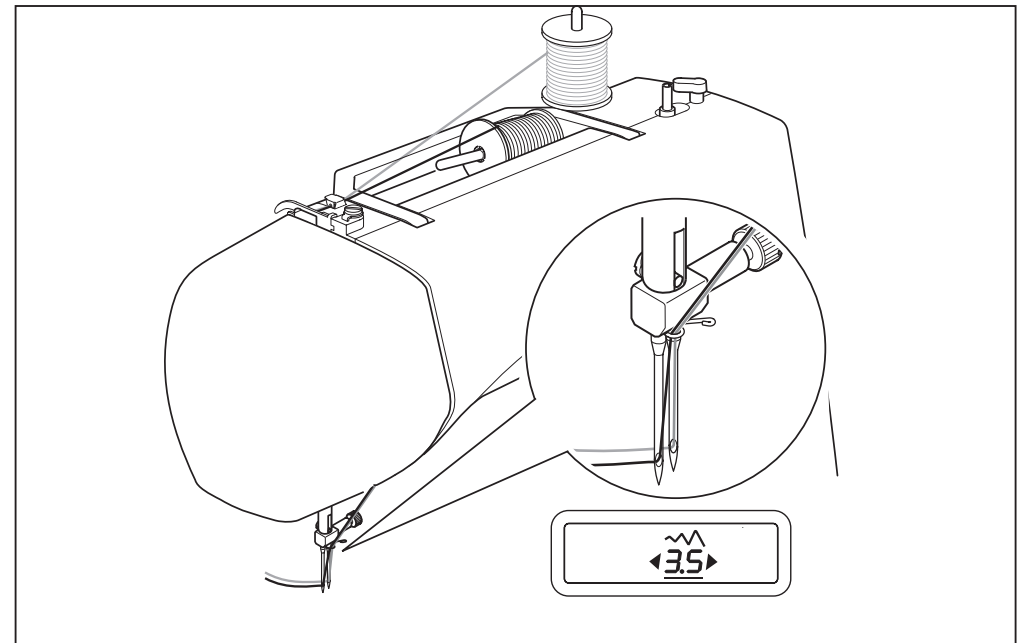
When using a twin-needles, set stitch width at 3.5 or less, or otherwise needle may be broken.

A twin-needle produces two rows of parallel stitches for pin tucks, double top stitching and decorative sewing.

### THREADING THE TWIN NEEDLE

1. Place a spool on each spool pin. Thread the two threads as one except double thread guides are provided. Draw one thread through each of these and through each needle front to back.
2. Pick up bobbin thread as for single needle sewing. Pull the three threads together under the presser foot to the back of the machine, leaving about 15 cm clear.

**NOTE: Needle threader cannot be used to thread the twin needle.**



## 5. PERFORMANCE CHECKLIST

### GENERAL PROBLEMS

#### Machine does not sew.

- \* Power switch is turned off. – Turn on the switch.
- \* Buttonhole lever is not raised when sewing stitch patterns. – Raise buttonhole lever.
- \* Buttonhole lever is not lowered when sewing buttonhole. – Lower buttonhole lever.
- \* Presser foot lifter is raised. – Lower the presser foot to sew.

#### Machine jams/knocks.

- \* Thread is caught in hook. – Clean hook (see page 46).
- \* Needle is damaged. – Replace needle (see page 15).

#### Fabric does not move.

- \* Presser foot is not lowered – Lower presser foot.
- \* Stitch length is too short – Lengthen stitch length.

### STITCHING PROBLEMS

#### Machine skips stitches.

- \* Needle is not all the way up into needle clamp (see page 15).
- \* Needle is bent or blunt. – Replace needle (see page 15).
- \* Machine is not threaded correctly (see page 10).
- \* Thread is caught in hook. – Clean hook (see page 46).

#### Stitches are irregular.

- \* Needle size is not correct for thread and fabric (see page 14).
- \* Machine is not threaded correctly (see page 10).
- \* Top thread tension is too loose (see page 16).
- \* Fabric is being pulled or pushed against machine feeding action. – Guide it gently.
- \* Bobbin has not been wound evenly. – Rewind bobbin.

#### Needle breaks.

- \* Fabric is being pulled or pushed against machine feeding action. – Guide it gently.
- \* Needle size is not correct for thread and fabric (see page 14).
- \* Needle is not all the way up into the needle clamp (see page 15).
- \* Twin needle is being used but stitch width is set too wide (see page 47).
- \* Too much thread appears on the underside of stitching.
- \* Upper thread not correctly thread (see page 10).

### THREAD PROBLEMS

#### Thread bunches.

- \* Top and bobbin threads are not drawn back under presser foot before starting seam.
  - Draw both threads back under presser foot about 4 inches (10 cm) and hold until a few stitches are formed.

#### Needle thread breaks.

- \* Machine is not threaded correctly (see page 10).
- \* Top thread tension is too tight (see page 16).
- \* Needle is bent. – Replace needle (see page 15).
- \* Needle size is not correct for thread and fabric (see page 14).

#### Bobbin thread breaks.

- \* Bobbin case is not threaded correctly (see page 9).
- \* Lint accumulates in bobbin case or hook. – Remove lint (see page 46).

#### Fabric puckers.

- \* Top thread tension is too tight. – Adjust thread tension (see page 16).
- \* Stitch length is too long for sheer or soft fabric. – Shorten stitch length.





ENGLISH

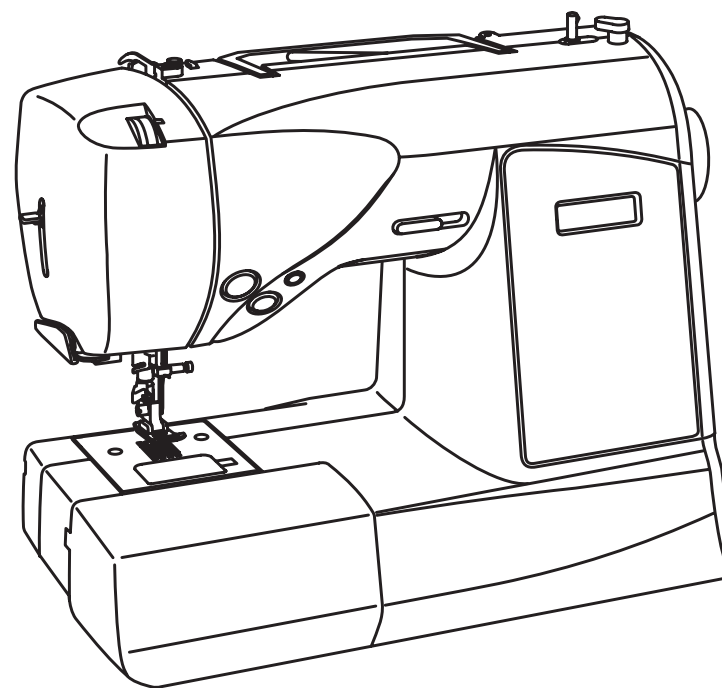
© Part No. 19916

10/19

10/19(1)



19916-D01-11898



# INSTRUCTION MANUAL

## “IMPORTANT SAFETY INSTRUCTIONS”

“When using an electrical appliance, basic safety precautions should always be followed, including the following.”

“Read all instructions before using this sewing machine.”

**“DANGER—** To reduce the risk of electric shock:”

1. “This sewing machine should never be left unattended when plugged in. Always unplug this sewing machine from the electric outlet immediately after using and before cleaning.”

**“WARNING—** To reduce the risk of burns, fire, electric shock, or injury to persons: ”

1. “Do not allow to be used as a toy. Close attention is necessary when this sewing machine is used by or near children.”
2. “This appliance can be used by children aged from 8 years and above and persons with reduced physical, sensory or mental capabilities or lack of experience and knowledge if they have been given supervision or instruction concerning use of the appliance in a safe way and understand the hazards involved. Children shall not play with the appliance. Cleaning and user maintenance shall not be made by children without supervision.”
3. “Use this sewing machine only for its intended use as described in this manual. Use only attachments recommended by the manufacturer as contained in this manual.”
4. “Never operate this sewing machine if it has a damaged cord or plug, if it is not working properly, if it has been dropped or damaged, or dropped into water. Return the sewing machine to the nearest authorized dealer or service center for examination, repair, electrical or mechanical adjustment.”
5. “If the supply cord is damaged, it must be replaced by the manufacturer, its service agent or similarly qualified persons in order to avoid a hazard.”
6. “Never operate the sewing machine with any air openings blocked. Keep ventilation openings of the sewing machine and foot control free from the accumulation of lint, dust, and loose cloth.”
7. “Never drop or insert any object into any opening.”
8. “Indoors use only.”
9. “Do not operate where aerosol (spray) products are being used or where oxygen is being administered.”
10. “To disconnect, turn switch to the off („0“) position, then remove plug from outlet.”
11. “Switch off or unplug the appliance when leaving it unattended, unplug the appliance before carrying out maintenance or replacing lamps.”

12. “Do not unplug by pulling on cord. To unplug, grasp the plug, not the cord.”
13. “Keep fingers away from all moving parts. Special care is required around the sewing machine needle.”
14. “Never sew with a damaged needle plate as this can cause needle to break.”
15. “Do not use bent needles.”
16. “Do not pull or push fabric while stitching. It may deflect the needle causing it to break.”
17. “Switch the sewing machine off (“0”) when making any adjustments in the needle area, such as threading needle, changing needle, threading bobbin, or changing presser foot, etc.”
18. “Always unplug sewing machine from the electrical outlet when removing covers, lubricating, or when making any other user servicing adjustments mentioned in the instruction manual.”
19. “To avoid electrical shock never put the machine nor the mains cable or mains plug into water or other liquids.”
20. “The LED lamp maximum power is 0.3w, maximum voltage is DC 5v, if the LED lamp is damaged, you should not use the product and send it to the manufacture or service agent to repair or replace at once.”
21. “Attention the following to avoid injury:
  - Unplug the foot controller of the appliance when leaving it unattended:
  - Unplug the foot controller of the appliance before carrying out any maintenance.”

**“CAUTION—** Moving parts-To reduce risk of injury, switch off before servicing. Close cover before operating machine.”

## “SAVE THESE INSTRUCTIONS”

“This product is for household use, or equivalent.”

**This appliance complies with EEC Directive 2014/30/EU covering the electromagnetic compatibility.**



Please note that on disposal, this product must be safely recycled in accordance with relevant National legislation relating to electrical/ electronic products. If in doubt please contact your retailer for guidance.